

Standardmaterial - Övriga material mot förfrågan

Material	Materialbeteckning	Färg	Media
NBR 70	N70	Svart	Används med fördel i hydrauliska och pneumatiska system. Kompatibel med animaliska och vegetabiliska mineraloljor
NBR 90	N90	Svart	Används med fördel i hydrauliska system, tål högre tryck än NBR 70 Kompatibel med animaliska och vegetabiliska mineraloljor
FPM 70	F70G	Grön	Mycket bra beständighet mot höga temperaturer i olja och luft. Tål även bränsle och syror
EPDM 70 P	E70P	Svart	Peroxidvulkat EPDM. Tål varmvatten och har god beständighet mot ozon och luft
MVQ 70	M70R	Röd	Tål höga temperaturer i luft
CR 70	C70	Svart	Bra väder och ozonbeständighet, tål även mineralolja

Artikelnummer för en specifik O-ring erhålls genom att kombinera verktygsnummer med materialbeteckning.
Exempel: 6.1 X 1.6 i material NBR70, Artikelnummer blir då 210464998N70

Tabellen sorterad på O-ringens innerdiameter (D)

Verktygsnr	D	D ₂	Verktygsnr	D	D ₂	Verktygsnr	D	D ₂	Verktygsnr	D	D ₂
210562102	0.73	X 1.02	210562227	5.94	X 3.53	210466190	9.19	X 2.62	210464453	12.3	X 2.4
210466829	1.06	X 1.27	210464889	6.0	X 1.0	210464511	9.25	X 1.78	210462722	12.37	X 2.62
210562221	1.24	X 2.62	210465719	6.0	X 1.5	210461412	9.3	X 2.4	210466231	12.42	X 1.78
210466619	1.42	X 1.52	210465785	6.0	X 2.0	210561642	9.5	X 1.5	210465901	12.6	X 2.4
210466657	1.78	X 1.78	210465472	6.0	X 2.5	210561554	9.6	X 2.4	210466647	13.0	X 1.0
210562222	2.06	X 2.62	210465628	6.02	X 2.62	210466115	9.92	X 2.62	210465676	13.0	X 1.5
210562939	2.5	X 1.0	210465189	6.07	X 1.78	210465488	10.0	X 1.0	210466169	13.0	X 2.0
210561739	2.57	X 1.78	210464998	6.1	X 1.6	210465553	10.0	X 1.5	210561724	13.0	X 2.5
210562223	2.84	X 2.62	210464186	6.3	X 2.4	210466393	10.0	X 2.0	210464742	13.0	X 3.0
210464449	2.9	X 1.78	210465285	6.35	X 1.78	210465080	10.0	X 2.5	210466020	13.1	X 1.6
210463895	3.0	X 1.0	210561641	6.5	X 1.5	210466205	10.0	X 3.0	210460778	13.1	X 2.62
210465568	3.0	X 1.5	210466282	6.75	X 1.78	210465749	10.0	X 3.5	210461351	13.3	X 2.4
210462914	3.1	X 1.6	210465221	7.0	X 1.0	210561022	10.0	X 4.0	210562944	13.6	X 2.4
210562586	3.17	X 1.78	210465556	7.0	X 1.5	210466153	10.0	X 5.0	210562230	13.64	X 5.33
210461533	3.3	X 2.4	210466413	7.0	X 2.0	210465636	10.1	X 1.6	210465129	13.87	X 3.53
210561004	3.5	X 1.5	210561344	7.0	X 2.5	210464452	10.3	X 2.4	210465374	13.95	X 2.62
210562224	3.63	X 2.62	210464784	7.1	X 1.6	210562228	10.46	X 5.33	210561027	14.0	X 1.0
210465326	3.69	X 1.78	210461492	7.3	X 2.4	210465701	10.5	X 2.0	210465675	14.0	X 1.5
210463896	4.0	X 1.0	210465741	7.5	X 1.5	210561546	10.6	X 2.4	210466129	14.0	X 1.78
210465710	4.0	X 1.5	210561470	7.5	X 2.0	210561024	10.69	X 3.53	210465819	14.0	X 2.0
210465830	4.0	X 2.0	210465186	7.59	X 2.62	210463751	10.78	X 2.62	210465066	14.0	X 2.5
210461915	4.1	X 1.6	210562943	7.6	X 2.4	210466427	10.82	X 1.78	210461792	14.0	X 3.0
210464450	4.3	X 2.4	210464572	7.66	X 1.78	210465193	11.0	X 1.0	210466343	14.0	X 4.0
210562225	4.34	X 3.53	210562336	7.94	X 1.78	210561289	11.0	X 1.5	210465515	14.1	X 1.6
210561762	4.42	X 2.62	210465192	8.0	X 1.0	210465750	11.0	X 2.0	210463744	14.3	X 2.4
210465551	4.48	X 1.78	210465714	8.0	X 1.5	210466977	11.0	X 2.5	210562945	14.6	X 2.4
210562940	4.5	X 1.0	210465854	8.0	X 2.0	210465061	11.1	X 1.6	210561031	15.0	X 1.0
210561640	4.5	X 1.5	210561017	8.0	X 2.5	210465315	11.11	X 1.78	210465673	15.0	X 1.5
210561527	4.5	X 2.0	210465060	8.1	X 1.6	210461332	11.3	X 2.4	210463754	15.0	X 2.0
210562115	4.6	X 2.4	210464451	8.3	X 2.4	210462449	11.5	X 1.5	210461562	15.0	X 2.5
210465606	4.76	X 1.78	210466557	8.5	X 1.5	210465235	11.6	X 2.4	210465856	15.0	X 3.0
210465589	5.0	X 1.0	210465293	8.5	X 2.0	210466191	11.91	X 2.62	210562194	15.0	X 3.5
210465715	5.0	X 1.5	210562134	8.6	X 2.4	210465793	12.0	X 1.0	210465230	15.0	X 4.0
210465822	5.0	X 2.0	210466219	8.73	X 1.78	210465783	12.0	X 1.5	210463592	15.0	X 5.0
210465473	5.0	X 2.5	210465240	9.0	X 1.0	210461786	12.0	X 2.0	210460779	15.08	X 2.62
210465441	5.1	X 1.6	210465855	9.0	X 1.5	210465820	12.0	X 2.5	210465062	15.1	X 1.6
210562226	5.23	X 2.62	210465743	9.0	X 2.0	210464341	12.0	X 3.0	210561854	15.24	X 5.33
210466021	5.28	X 1.78	210466972	9.0	X 2.5	210465620	12.0	X 4.0	210461379	15.3	X 2.4
210461547	5.3	X 2.4	210465875	9.0	X 3.0	210562229	12.07	X 5.33	210561032	15.47	X 3.53
210465612	5.5	X 1.5	210462723	9.1	X 1.6	210465266	12.1	X 1.6	210464509	15.54	X 2.62
210561752	5.5	X 2.0	210562027	9.12	X 3.53	210561312	12.29	X 3.53	210465292	15.6	X 1.78

Verktygsnr	D	D ₂	Verktygsnr	D	D ₂	Verktygsnr	D	D ₂	Verktygsnr	D	D ₂
210562946	15.6	X 2.4	210561041	21.6	X 2.4	210466438	28.0	X 2.5	210561069	36.0	X 3.0
210465318	15.88	X 2.62	210466184	21.82	X 3.53	210463933	28.0	X 3.0	210561757	36.0	X 3.5
210561936	16.0	X 1.0	210466767	21.89	X 2.62	210561817	28.0	X 3.5	210561860	36.0	X 4.0
210465711	16.0	X 1.5	210466234	21.95	X 1.78	210462621	28.0	X 4.0	210466933	36.0	X 5.0
210561560	16.0	X 2.0	210462741	22.0	X 1.5	210464182	28.0	X 5.0	210466118	36.1	X 3.53
210465465	16.0	X 2.5	210462913	22.0	X 2.0	210466044	28.17	X 3.53	210466724	36.17	X 2.62
210462911	16.0	X 3.0	210561042	22.0	X 2.5	210465464	28.2	X 3.0	210462047	36.2	X 3.0
210463241	16.0	X 4.0	210465725	22.0	X 3.0	210466682	28.25	X 2.62	210562901	36.27	X 1.78
210465183	16.1	X 1.6	210561043	22.0	X 4.0	210466560	28.3	X 1.78	210465569	37.0	X 2.0
210464454	16.3	X 2.4	210461752	22.0	X 3.5	210466991	29.0	X 2.5	210561070	37.0	X 2.5
210561779	16.6	X 2.4	210461856	22.0	X 5.0	210463886	29.1	X 1.6	210463889	37.1	X 1.6
210562231	16.81	X 5.33	210462301	22.1	X 1.6	210461331	29.2	X 3.0	210462125	37.2	X 3.0
210465761	17.0	X 1.5	210461378	22.2	X 3.0	210562606	29.5	X 3.0	210464728	37.47	X 5.33
210466699	17.0	X 2.0	210464967	22.22	X 2.62	210561299	29.52	X 5.33	210561072	37.6	X 2.4
210465804	17.0	X 2.5	210466690	22.3	X 2.4	210465539	29.6	X 2.4	210464560	37.69	X 3.53
210466015	17.0	X 3.0	210561441	23.0	X 1.5	210465034	29.75	X 3.53	210466209	37.77	X 2.62
210561033	17.04	X 3.53	210561322	23.0	X 2.0	210464579	29.85	X 2.62	210466694	37.82	X 1.78
210465288	17.1	X 1.6	210466704	23.0	X 2.5	210466643	29.87	X 1.78	210465056	38.0	X 2.0
210465573	17.13	X 2.62	210465442	23.0	X 3.0	210462410	30.0	X 1.5	210465585	38.0	X 2.5
210466387	17.17	X 1.78	210466504	23.0	X 4.0	210466317	30.0	X 2.0	210466546	38.0	X 3.5
210465929	17.2	X 3.0	210561472	23.17	X 5.33	210463699	30.0	X 2.5	210464900	38.0	X 3.0
210461413	17.3	X 2.4	210462169	23.3	X 2.4	210561056	30.0	X 3.0	210466507	38.0	X 4.0
210561542	17.6	X 2.4	210464566	23.4	X 3.53	210462123	30.0	X 3.5	210463591	38.0	X 5.0
210466116	17.86	X 2.62	210466689	23.47	X 2.62	210466071	30.0	X 4.0	210562917	39.0	X 2.0
210561983	18.0	X 1.0	210466757	23.52	X 1.78	210462550	30.0	X 5.0	210561076	39.0	X 2.5
210561328	18.0	X 1.5	210466266	23.81	X 2.62	210466106	30.2	X 3.0	210461414	39.2	X 3.0
210466419	18.0	X 2.0	210465619	24.0	X 1.5	210465437	30.3	X 2.4	210466565	39.2	X 5.7
210466410	18.0	X 2.5	210463414	24.0	X 2.0	210466434	31.0	X 4.0	210466736	39.34	X 2.62
210465440	18.0	X 3.0	210561451	24.0	X 2.5	210561482	31.12	X 5.33	210562932	39.45	X 1.78
210462077	18.0	X 3.5	210465858	24.0	X 3.0	210465433	31.2	X 3.0	210562837	39.5	X 3.0
210462597	18.0	X 4.0	210561044	24.0	X 3.5	210466037	31.34	X 3.53	210561078	39.6	X 2.4
210465019	18.0	X 5.0	210466326	24.0	X 4.0	210466160	31.42	X 2.62	210466357	39.69	X 3.53
210466012	18.1	X 1.6	210561045	24.0	X 5.0	210466235	31.47	X 1.78	210466316	40.0	X 2.0
210466649	18.2	X 3.0	210461375	24.2	X 3.0	210561057	31.5	X 3.0	210465555	40.0	X 2.5
210561704	18.3	X 2.4	210561046	24.6	X 2.4	210561058	31.6	X 2.4	210462485	40.0	X 3.0
210562232	18.42	X 5.33	210561483	24.77	X 5.33	210561059	32.0	X 2.0	210465462	40.0	X 3.5
210561034	18.6	X 2.4	210464820	24.99	X 3.53	210561060	32.0	X 2.5	210465794	40.0	X 4.0
210463759	18.64	X 3.53	210464388	25.0	X 1.5	210561061	32.0	X 3.0	210461827	40.0	X 5.0
210464132	18.72	X 2.62	210465735	25.0	X 2.0	210465302	32.0	X 4.0	210464547	40.65	X 5.33
210466642	18.77	X 1.78	210465744	25.0	X 2.5	210463579	32.0	X 5.0	210466984	40.87	X 3.53
210465664	19.0	X 1.5	210461781	25.0	X 3.0	210463887	32.1	X 1.6	210466237	40.95	X 2.62
210463102	19.0	X 2.0	210466872	25.0	X 4.0	210461556	32.2	X 3.0	210466725	41.0	X 1.78
210561505	19.0	X 2.5	210462458	25.0	X 5.0	210561906	32.69	X 5.33	210561320	41.0	X 2.5
210461867	19.0	X 3.0	210466768	25.07	X 2.62	210466117	32.93	X 3.53	210466181	41.28	X 3.53
210466051	19.0	X 4.0	210465242	25.1	X 1.6	210462412	33.0	X 2.0	210561081	41.5	X 3.0
210465344	19.1	X 1.6	210466863	25.12	X 1.78	210561298	33.0	X 2.5	210561082	41.6	X 2.4
210461377	19.2	X 3.0	210465961	25.3	X 2.4	210466236	33.0	X 2.62	210561083	42.0	X 2.0
210466406	19.3	X 2.4	210466061	25.8	X 3.53	210466913	33.0	X 5.0	210466411	42.0	X 2.5
210561037	19.6	X 2.4	210466816	26.0	X 1.5	210466582	33.05	X 1.78	210562166	42.0	X 3.0
210562233	19.99	X 5.33	210561281	26.0	X 2.0	210466188	33.3	X 2.4	210464997	42.0	X 4.0
210561334	20.0	X 1.0	210561048	26.0	X 2.5	210465669	34.0	X 2.0	210561084	42.0	X 5.0
210465712	20.0	X 1.5	210561049	26.0	X 3.0	210465294	34.0	X 2.5	210461723	42.2	X 3.0
210466170	20.0	X 2.0	210464888	26.0	X 4.0	210463702	34.0	X 4.0	210561541	42.5	X 3.0
210466077	20.0	X 2.5	210461491	26.2	X 3.0	210461242	34.2	X 3.0	210466232	42.52	X 2.62
210466990	20.0	X 3.0	210561905	26.34	X 5.33	210561288	34.29	X 5.33	210465277	42.86	X 3.53
210464141	20.0	X 4.0	210561547	26.5	X 3.0	210464783	34.52	X 3.53	210561085	43.0	X 3.0
210462460	20.0	X 5.0	210464620	26.58	X 3.53	210466718	34.59	X 2.62	210466119	43.82	X 5.33
210463679	20.22	X 3.53	210466735	26.64	X 2.62	210561063	34.6	X 2.4	210561912	44.0	X 4.0
210466192	20.24	X 2.62	210466559	26.7	X 1.78	210466386	34.65	X 1.78	210466052	44.04	X 3.53
210465588	20.3	X 2.4	210562005	27.0	X 1.5	210561064	35.0	X 1.5	210466511	44.12	X 2.62
210466218	20.35	X 1.78	210465869	27.0	X 2.0	210466045	35.0	X 2.0	210465765	44.17	X 1.78
210464616	20.63	X 2.62	210466956	27.0	X 2.5	210465868	35.0	X 2.5	210461470	44.2	X 3.0
210465341	21.0	X 1.5	210561050	27.0	X 3.0	210461826	35.0	X 3.0	210461330	44.2	X 5.7
210465832	21.0	X 2.0	210463885	27.1	X 1.6	210462691	35.0	X 3.5	210466323	44.45	X 3.53
210561329	21.0	X 2.5	210562138	27.5	X 1.5	210561065	35.0	X 4.0	210463103	45.0	X 2.0
210465212	21.0	X 3.0	210561052	27.5	X 3.0	210461038	35.0	X 5.0	210561837	45.0	X 2.5
210461468	21.2	X 3.0	210561053	27.6	X 2.4	210463888	35.1	X 1.6	210561062	45.0	X 3.0
210561524	21.3	X 2.4	210561844	27.93	X 5.33	210561066	35.2	X 3.0	210465420	45.0	X 4.0
210462700	21.5	X 3.0	210465704	28.0	X 1.5	210465194	36.0	X 2.0	210461010	45.0	X 5.0
210562019	21.59	X 5.33	210463323	28.0	X 2.0	210466409	36.0	X 2.5	210561087	45.3	X 5.7

Verktygsnr	D	D ₂	Verktygsnr	D	D ₂	Verktygsnr	D	D ₂	Verktygsnr	D	D ₂
210466238	45.69	X 2.62	210461849	56.0	X 4.0	210466382	68.26	X 3.53	210461650	84.5	X 3.0
210561282	46.0	X 2.0	210464419	56.52	X 5.33	210461329	69.2	X 5.7	210465249	85.0	X 2.0
210461624	46.0	X 3.0	210466185	56.74	X 3.53	210466322	69.22	X 5.33	210465681	85.0	X 2.5
210466120	46.04	X 3.53	210466176	56.82	X 2.62	210466680	69.44	X 3.53	210561901	85.0	X 3.0
210561090	46.2	X 3.0	210465085	56.87	X 1.78	210463732	69.5	X 3.0	210465764	85.0	X 4.0
210561112	47.0	X 2.0	210561109	57.0	X 2.5	210465813	69.52	X 2.62	210461859	85.0	X 5.0
210562539	47.0	X 2.5	210562275	57.0	X 4.0	210561764	69.57	X 1.78	210466098	85.09	X 5.33
210561290	47.0	X 3.0	210463758	57.15	X 3.53	210561124	69.6	X 2.4	210466551	85.32	X 3.53
210561781	47.0	X 4.0	210461762	57.2	X 3.0	210466195	69.85	X 3.53	210561138	85.34	X 1.78
210561091	47.0	X 5.0	210561110	57.6	X 2.4	210561468	70.0	X 2.0	210561567	88.0	X 3.0
210464729	47.0	X 5.33	210562089	58.0	X 2.0	210561442	70.0	X 2.5	210561314	88.0	X 4.0
210464651	47.2	X 3.53	210561315	58.0	X 3.0	210561463	70.0	X 3.0	210466156	88.27	X 5.33
210466462	47.2	X 5.7	210464177	58.0	X 4.0	210466065	70.0	X 3.5	210466004	88.5	X 3.53
210466711	47.29	X 2.62	210466279	58.42	X 2.62	210466461	70.0	X 4.0	210466941	88.57	X 2.62
210466621	47.35	X 1.78	210466123	58.74	X 3.53	210461869	70.0	X 5.0	210465740	88.62	X 1.78
210561092	47.6	X 2.4	210565017	59.0	X 2.5	210466397	71.12	X 2.62	210461325	89.1	X 5.7
210466047	47.63	X 3.53	210561425	59.0	X 3.0	210466196	71.44	X 3.53	210461821	89.5	X 3.0
210466066	48.0	X 2.0	210565249	59.0	X 3.5	210466858	72.0	X 2.0	210466400	89.69	X 5.33
210465784	48.0	X 2.5	210461374	59.2	X 5.7	210465906	72.0	X 2.5	210465630	90.0	X 2.0
210462360	48.0	X 3.0	210462411	59.5	X 3.0	210461629	72.0	X 3.0	210465685	90.0	X 2.5
210463833	48.0	X 4.0	210465481	59.6	X 2.4	210463106	72.0	X 4.0	210561507	90.0	X 3.0
210561093	48.0	X 5.0	210461894	59.7	X 5.33	210466267	72.4	X 5.33	210466610	90.0	X 4.0
210466664	48.9	X 2.62	210466186	59.92	X 3.53	210466277	72.62	X 3.53	210463589	90.0	X 5.0
210561955	49.0	X 3.0	210466726	60.0	X 1.78	210561982	72.69	X 2.62	210464457	91.44	X 5.33
210461392	49.2	X 5.7	210466443	60.0	X 2.0	210465086	72.74	X 1.78	210466846	91.67	X 3.53
210466121	49.21	X 3.53	210466444	60.0	X 2.5	210466268	73.03	X 3.53	210466971	91.7	X 1.78
210463730	49.5	X 3.0	210465548	60.0	X 2.62	210563199	74.0	X 2.0	210466291	92.0	X 3.0
210561095	49.6	X 2.4	210466957	60.0	X 3.0	210561125	74.0	X 3.0	210561141	92.0	X 4.0
210465699	50.0	X 2.0	210466465	60.0	X 4.0	210461327	74.2	X 5.7	210561801	93.0	X 3.5
210561265	50.0	X 2.5	210462566	60.0	X 5.0	210562477	74.3	X 2.62	210461486	94.1	X 5.7
210461864	50.0	X 3.0	210466194	60.33	X 3.53	210463738	74.5	X 3.0	210462744	94.5	X 3.0
210466092	50.0	X 4.0	210464924	61.2	X 5.7	210466241	74.6	X 3.53	210466243	94.62	X 5.33
210463943	50.0	X 5.0	210561114	61.6	X 2.4	210466242	74.63	X 5.33	210466777	94.84	X 3.53
210466148	50.16	X 5.33	210466161	61.6	X 2.62	210561128	75.0	X 2.0	210561142	94.92	X 2.62
210466036	50.4	X 3.53	210466394	61.9	X 3.53	210561129	75.0	X 2.5	210561143	94.97	X 1.78
210466239	50.47	X 2.62	210465500	62.0	X 2.0	210562175	75.0	X 3.0	210561144	95.0	X 2.0
210466678	50.52	X 1.78	210561115	62.0	X 3.0	210561130	75.0	X 3.5	210561506	95.0	X 3.0
210464613	50.8	X 3.53	210561116	62.0	X 4.0	210561158	75.0	X 4.0	210561146	95.0	X 4.0
210462287	51.0	X 2.5	210561117	62.0	X 5.0	210462641	75.0	X 5.0	210464630	95.0	X 5.0
210562155	51.0	X 3.0	210563196	62.2	X 3.0	210466125	75.57	X 5.33	210465865	96.0	X 3.0
210561099	51.6	X 2.4	210466344	62.2	X 5.7	210465692	75.79	X 3.53	210561416	96.0	X 4.0
210466441	52.0	X 2.0	210466124	62.87	X 5.33	210465861	75.87	X 2.62	210466244	97.8	X 5.33
210562463	52.0	X 2.5	210463694	63.0	X 2.0	210466698	75.9	X 1.78	210561443	98.0	X 5.0
210465853	52.0	X 3.0	210561694	63.0	X 2.5	210561271	76.0	X 2.5	210466644	98.02	X 3.53
210463368	52.0	X 3.5	210466495	63.09	X 3.53	210461648	76.0	X 3.0	210561515	98.05	X 1.78
210561613	52.0	X 4.0	210466988	63.17	X 2.62	210562974	77.0	X 3.5	210461373	99.1	X 5.7
210466645	52.07	X 2.62	210561248	63.22	X 1.78	210562387	77.5	X 2.62	210464167	99.5	X 3.0
210561480	52.2	X 5.7	210464458	63.5	X 3.53	210466014	78.0	X 3.0	210561249	100.0	X 2.0
210466296	52.39	X 3.53	210461623	64.0	X 3.0	210466337	78.74	X 5.33	210561736	100.0	X 2.5
210561795	53.0	X 2.0	210461328	64.2	X 5.7	210466054	78.97	X 3.53	210562109	100.0	X 3.0
210466784	53.0	X 3.0	210463574	64.5	X 3.0	210562211	79.0	X 1.78	210561581	100.0	X 3.5
210466384	53.34	X 5.33	210561120	64.6	X 2.4	210461326	79.2	X 5.7	210466875	100.0	X 4.0
210466053	53.57	X 3.53	210466049	64.77	X 2.62	210463733	79.5	X 3.0	210464005	100.0	X 5.0
210466731	53.65	X 2.62	210561266	65.0	X 2.0	210466269	79.77	X 5.33	210466270	100.0	X 5.33
210465375	53.7	X 1.78	210561574	65.0	X 2.5	210465494	80.0	X 2.0	210466182	101.0	X 5.33
210462288	54.0	X 2.5	210561272	65.0	X 4.0	210562552	80.0	X 2.5	210466515	101.2	X 3.53
210561993	54.0	X 3.0	210461828	65.0	X 5.0	210561937	80.0	X 3.5	210466916	101.3	X 1.78
210562131	54.0	X 4.0	210466399	65.1	X 3.53	210466010	80.0	X 4.0	210465774	101.3	X 2.62
210461371	54.2	X 5.7	210561827	66.0	X 2.0	210465655	80.0	X 5.0	210462250	102.0	X 3.0
210463731	54.5	X 3.0	210562147	66.0	X 2.5	210562794	80.6	X 2.62	210466295	102.0	X 4.0
210561102	54.6	X 2.4	210464140	66.04	X 5.33	210464420	81.92	X 5.33	210562075	103.0	X 3.5
210462650	55.0	X 2.0	210561122	66.27	X 3.53	210561696	82.0	X 3.0	210466245	104.1	X 5.33
210461415	55.0	X 2.5	210465815	66.34	X 2.62	210466676	82.0	X 4.0	210462029	104.1	X 5.7
210562171	55.0	X 3.5	210466727	66.4	X 1.78	210465397	82.14	X 3.53	210562523	104.4	X 1.78
210561104	55.0	X 4.0	210466302	66.67	X 3.53	210561135	82.2	X 5.7	210466005	104.4	X 3.53
210463436	55.0	X 5.0	210562295	67.0	X 4.0	210465649	82.22	X 2.62	210464236	104.5	X 3.0
210466177	55.25	X 2.62	210562146	67.6	X 2.4	210465629	82.28	X 1.78	210561459	105.0	X 3.0
210466122	55.56	X 3.53	210465814	67.94	X 2.62	210562852	83.8	X 2.62	210561155	105.0	X 4.0
210561106	56.0	X 2.0	210466843	68.0	X 3.0	210562036	84.0	X 4.0	210461860	105.0	X 5.0
210561327	56.0	X 3.0	210562282	68.0	X 4.0	210461638	84.1	X 5.7	210466246	107.3	X 5.33

Verktygsnr	D	D ₂	Verktygsnr	D	D ₂	Verktygsnr	D	D ₂	Verktygsnr	D	D ₂
210466247	107.5	X 3.53	210463736	129.5	X 3.0	210463740	154.3	X 5.7	210561210	184.5	X 3.0
210561156	107.6	X 2.62	210562132	129.5	X 5.33	210461958	154.5	X 3.0	210466605	187.3	X 6.99
210561456	107.7	X 1.78	210466428	129.5	X 6.99	210562991	155.0	X 3.0	210463262	189.1	X 8.4
210465878	108.0	X 3.0	210465776	129.8	X 3.53	210465122	155.0	X 3.5	210464690	189.3	X 5.7
210561343	108.0	X 4.0	210561185	130.0	X 4.0	210466715	155.0	X 4.0	210461779	189.5	X 3.0
210461324	109.1	X 5.7	210464546	130.0	X 5.0	210561268	155.0	X 5.0	210561212	189.9	X 5.33
210462034	109.5	X 3.0	210466341	130.2	X 5.33	210561812	155.0	X 5.33	210466271	189.9	X 6.99
210466248	109.5	X 5.33	210561188	132.0	X 4.0	210466352	155.6	X 6.99	210562082	190.0	X 4.0
210561996	110.0	X 3.0	210561986	132.7	X 5.33	210461842	158.1	X 5.33	210561213	190.0	X 5.0
210561161	110.0	X 4.0	210466254	132.7	X 6.99	210466520	158.1	X 6.99	210466722	190.1	X 3.53
210465656	110.0	X 5.0	210466720	132.9	X 3.53	210466055	158.3	X 3.53	210561807	190.2	X 2.62
210466233	110.5	X 5.33	210561189	133.0	X 1.78	210561825	158.4	X 2.62	210465483	192.0	X 4.0
210562543	110.7	X 1.78	210465742	133.0	X 2.62	210462904	159.1	X 8.4	210466606	193.7	X 6.99
210466574	110.7	X 3.53	210466493	133.4	X 5.33	210462502	159.3	X 5.7	210463076	194.1	X 8.4
210561452	112.0	X 4.0	210562907	134.0	X 3.0	210561201	159.5	X 3.0	210462738	194.3	X 5.7
210466157	113.7	X 5.33	210461895	134.3	X 5.7	210466521	159.5	X 6.99	210461787	194.5	X 3.0
210466519	113.7	X 6.99	210462985	134.5	X 3.0	210561974	160.0	X 3.5	210463632	195.0	X 5.0
210465810	113.9	X 2.62	210466597	134.5	X 6.99	210461986	160.0	X 4.0	210465173	196.2	X 5.33
210466006	113.9	X 3.53	210562049	135.0	X 3.5	210461816	160.0	X 5.0	210466607	196.2	X 6.99
210561780	114.0	X 1.78	210466778	135.0	X 4.0	210561767	161.3	X 5.33	210466723	196.4	X 3.53
210462808	114.3	X 5.7	210460630	135.0	X 5.0	210466479	161.9	X 6.99	210561247	196.5	X 2.62
210463734	114.5	X 3.0	210561914	135.9	X 5.33	210463077	164.1	X 8.4	210462776	199.1	X 8.4
210466591	114.7	X 6.99	210466255	135.9	X 6.99	210461646	164.3	X 5.7	210462775	199.3	X 5.7
210561561	115.0	X 3.0	210466822	136.1	X 3.53	210465328	164.5	X 3.0	210562607	199.5	X 3.0
210561772	115.0	X 4.0	210466588	136.5	X 5.33	210465184	164.5	X 5.33	210466452	200.0	X 3.0
210461817	115.0	X 5.0	210562160	138.0	X 3.0	210466480	164.5	X 6.99	210465096	200.0	X 4.0
210562006	116.8	X 5.33	210465786	138.0	X 4.0	210561929	164.7	X 3.53	210464136	200.0	X 5.0
210466592	116.8	X 6.99	210562235	139.1	X 5.33	210561204	164.8	X 2.62	210561216	202.6	X 5.33
210465087	117.1	X 1.78	210466598	139.1	X 6.99	210565327	165.0	X 3.0	210466259	202.6	X 6.99
210466249	117.1	X 3.53	210466564	139.3	X 3.53	210466779	165.0	X 4.0	210466414	202.8	X 3.53
210466401	117.5	X 5.33	210462788	139.3	X 5.7	210561205	165.0	X 5.0	210561217	202.9	X 2.62
210561170	118.0	X 3.0	210561707	139.4	X 2.62	210466339	166.7	X 6.99	210464386	204.2	X 5.7
210562288	118.0	X 4.0	210463664	139.5	X 3.0	210562942	167.7	X 5.33	210561326	205.0	X 3.0
210462400	119.3	X 5.7	210466589	139.7	X 5.33	210463053	168.0	X 3.0	210561679	205.0	X 5.0
210462986	119.5	X 3.0	210561242	140.0	X 4.0	210466600	168.3	X 6.99	210561220	208.9	X 5.33
210562871	120.0	X 3.5	210561193	140.0	X 5.0	210463051	169.1	X 8.4	210466609	208.9	X 6.99
210561172	120.0	X 4.0	210461957	142.0	X 3.0	210463741	169.3	X 5.7	210466691	209.1	X 3.53
210561173	120.0	X 5.0	210561195	142.0	X 4.0	210561206	169.5	X 3.0	210465519	209.1	X 8.4
210561175	120.0	X 5.33	210562236	142.2	X 5.33	210461972	170.0	X 3.0	210562042	209.2	X 2.62
210466593	120.0	X 6.99	210466256	142.2	X 6.99	210562277	170.0	X 3.5	210463008	209.3	X 5.7
210466250	120.2	X 3.53	210466729	142.5	X 3.53	210561336	170.0	X 4.0	210461615	209.5	X 3.0
210465209	120.3	X 2.62	210466340	142.9	X 5.33	210466854	170.0	X 5.0	210464793	210.0	X 3.0
210562817	120.4	X 1.78	210561454	144.0	X 4.0	210465113	170.8	X 5.33	210465111	210.0	X 4.0
210466252	120.7	X 5.33	210462908	144.1	X 8.4	210466601	170.8	X 6.99	210463545	210.0	X 5.0
210561176	122.0	X 3.0	210462726	144.3	X 5.7	210466721	171.0	X 3.53	210561899	215.0	X 3.0
210561568	122.0	X 4.0	210463737	144.5	X 3.0	210561207	171.1	X 2.62	210465999	215.3	X 5.33
210562234	123.2	X 5.33	210561197	145.0	X 4.0	210561692	172.0	X 4.0	210466260	215.3	X 6.99
210466594	123.2	X 6.99	210462708	145.0	X 5.0	210462959	174.1	X 8.4	210466162	215.5	X 3.53
210561710	123.4	X 1.78	210561424	145.4	X 5.33	210462737	174.3	X 5.7	210561252	215.6	X 2.62
210466719	123.4	X 3.53	210466466	145.4	X 6.99	210561208	174.5	X 3.0	210462903	219.1	X 8.4
210466402	123.8	X 5.33	210466257	145.6	X 3.53	210466602	174.6	X 6.99	210463948	219.3	X 5.7
210562532	124.0	X 3.0	210466709	145.7	X 2.62	210462570	175.0	X 3.0	210561339	219.5	X 3.0
210464652	124.0	X 4.0	210466590	146.1	X 5.33	210561209	175.0	X 5.0	210561518	220.0	X 3.0
210462471	124.3	X 5.7	210561755	148.6	X 5.33	210465181	177.2	X 5.33	210561570	220.0	X 3.5
210463735	124.5	X 3.0	210466383	148.6	X 6.99	210466603	177.2	X 6.99	210465204	220.0	X 4.0
210466595	124.6	X 6.99	210466216	148.8	X 3.53	210466712	177.4	X 3.53	210462979	220.0	X 5.0
210465928	125.0	X 3.5	210463074	149.1	X 8.4	210561784	177.5	X 2.62	210466522	221.6	X 6.99
210463588	125.0	X 5.0	210466258	149.2	X 5.33	210463075	179.1	X 8.4	210466261	221.8	X 3.53
210561758	126.0	X 3.0	210462961	149.3	X 5.7	210462907	179.3	X 5.7	210561227	221.9	X 2.62
210561180	126.0	X 4.0	210561198	149.5	X 3.0	210562130	179.5	X 3.0	210561229	227.9	X 5.33
210562217	126.4	X 5.33	210462430	150.0	X 3.0	210562994	180.0	X 3.5	210466363	227.9	X 6.99
210466596	126.4	X 6.99	210563280	150.0	X 3.5	210465833	180.0	X 4.0	210466692	228.0	X 4.0
210465802	126.6	X 3.53	210461985	150.0	X 4.0	210465262	180.0	X 5.0	210466830	228.2	X 3.53
210561182	126.7	X 1.78	210461861	150.0	X 5.0	210466604	181.0	X 6.99	210562043	228.3	X 2.62
210465973	126.7	X 2.62	210465185	151.8	X 5.33	210465967	183.5	X 5.33	210463806	229.1	X 8.4
210466253	127.0	X 5.33	210466599	151.8	X 6.99	210466509	183.5	X 6.99	210462906	229.3	X 5.7
210461621	128.0	X 3.0	210466278	152.0	X 3.53	210466733	183.7	X 3.53	210464361	230.0	X 3.0
210465787	128.0	X 4.0	210561725	152.1	X 2.62	210562069	183.8	X 2.62	210561479	230.0	X 4.0
210463739	129.3	X 5.7	210562990	154.0	X 3.0	210463078	184.1	X 8.4	210561232	230.0	X 5.0
210562910	129.4	X 1.78	210463079	154.1	X 8.4	210465161	184.3	X 5.7	210464914	230.5	X 3.0

Verktygsnr	D	D ₂	Verktygsnr	D	D ₂
210561321	234.3	X 5.33	210466572	329.5	X 6.99
210466555	234.3	X 6.99	210465809	329.8	X 3.53
210466980	234.5	X 3.53	210561940	330.0	X 4.0
210561333	234.6	X 2.62	210561316	330.0	X 5.0
210563054	235.0	X 4.0	210562503	335.9	X 6.99
210465657	235.0	X 5.0	210465244	339.3	X 5.7
210462957	239.1	X 8.4	210466974	340.0	X 5.0
210463949	239.3	X 5.7	210466429	342.3	X 6.99
210561233	239.5	X 3.0	210562137	345.0	X 5.0
210561846	240.0	X 4.0	210562487	350.0	X 4.0
210466474	240.0	X 3.0	210561811	354.9	X 5.33
210465658	240.0	X 5.0	210561822	355.0	X 4.0
210561856	240.7	X 5.33	210466615	355.0	X 6.99
210466183	240.7	X 6.99	210465807	355.2	X 3.53
210562237	240.9	X 2.62	210464535	359.3	X 5.7
210466477	240.9	X 3.53	210465196	360.0	X 4.0
210561292	245.0	X 5.0	210561313	360.0	X 5.0
210561952	247.0	X 5.33	210466460	367.7	X 6.99
210466272	247.0	X 6.99	210561768	370.0	X 4.0
210465812	247.2	X 3.53	210562145	375.0	X 5.0
210562015	247.3	X 2.62	210464952	379.3	X 5.7
210463050	249.1	X 8.4	210466456	380.0	X 4.0
210461925	249.3	X 5.7	210466468	380.3	X 6.99
210561236	249.5	X 3.0	210561499	380.4	X 5.33
210561973	250.0	X 3.0	210561258	380.6	X 3.53
210465211	250.0	X 4.0	210562136	390.0	X 4.0
210561237	250.0	X 5.0	210466224	393.1	X 6.99
210466770	253.6	X 3.53	210465287	399.3	X 5.7
210561958	253.6	X 5.33	210464475	400.0	X 5.0
210466611	253.6	X 6.99	210562026	405.3	X 3.53
210561280	255.0	X 4.0	210561869	405.3	X 5.33
210561995	255.0	X 5.0	210465174	405.3	X 6.99
210464006	259.3	X 5.7	210561729	410.0	X 4.0
210466612	259.7	X 6.99	210465175	417.9	X 6.99
210561862	260.0	X 3.5	210466038	419.3	X 5.7
210465659	260.0	X 5.0	210562238	430.7	X 3.53
210561693	265.0	X 4.0	210561998	430.7	X 5.33
210561787	266.1	X 5.33	210562239	430.7	X 6.99
210466262	266.1	X 6.99	210463984	439.3	X 5.7
210465808	266.3	X 3.53	210562044	443.4	X 6.99
210464411	269.3	X 5.7	210562385	445.0	X 5.0
210561529	270.0	X 4.0	210465233	450.0	X 5.0
210561223	270.0	X 5.0	210562008	456.1	X 3.53
210466364	272.4	X 6.99	210561262	456.1	X 5.33
210561285	278.8	X 5.33	210465176	456.1	X 6.99
210461836	278.8	X 6.99	210464705	459.3	X 5.7
210465611	279.0	X 3.53	210465177	468.8	X 6.99
210462905	279.3	X 5.7	210561852	470.0	X 4.0
210461831	280.0	X 5.0	210462488	479.3	X 5.7
210561481	285.0	X 4.0	210465811	481.4	X 5.33
210466613	285.1	X 6.99	210562240	481.5	X 6.99
210464934	289.3	X 5.7	210561520	490.0	X 5.0
210465975	290.0	X 4.0	210465739	494.2	X 6.99
210561926	290.0	X 5.0	210464337	499.3	X 5.7
210562118	291.5	X 5.33	210463677	500.0	X 5.0
210466263	291.5	X 6.99	210562241	506.8	X 5.33
210561246	291.7	X 3.53	210465178	506.9	X 6.99
210466614	297.8	X 6.99	210561533	532.2	X 5.33
210462484	299.3	X 5.7	210465043	532.3	X 6.99
210466481	304.1	X 6.99	210562242	557.6	X 5.33
210561997	304.2	X 5.33	210562094	557.7	X 6.99
210465698	304.4	X 3.53	210562243	582.7	X 5.33
210465590	305.0	X 5.0	210561815	582.7	X 6.99
210562730	305.0	X 6.0	210562244	608.1	X 5.33
210562064	310.5	X 6.99	210465179	608.1	X 6.99
210561911	315.0	X 4.0	210562245	633.5	X 5.33
210466264	316.9	X 6.99	210562246	633.5	X 6.99
210462734	319.3	X 5.7	210562247	658.9	X 5.33
210561257	320.0	X 4.0	210562248	658.9	X 6.99
210561331	329.5	X 5.33			

Tabellen sorterad på O-ringens tvärsnittsdiameter (D2)

Verktygsnr	D	D ₂	Verktygsnr	D	D ₂	Verktygsnr	D	D ₂	Verktygsnr	D	D ₂
210562939	2.5	X 1.0	210466020	13.1	X 1.6	210466916	101.3	X 1.78	210466858	72.0	X 2.0
210463895	3.0	X 1.0	210465515	14.1	X 1.6	210562523	104.4	X 1.78	210563199	74.0	X 2.0
210463896	4.0	X 1.0	210465062	15.1	X 1.6	210561456	107.7	X 1.78	210561128	75.0	X 2.0
210562940	4.5	X 1.0	210465183	16.1	X 1.6	210562543	110.7	X 1.78	210465494	80.0	X 2.0
210465589	5.0	X 1.0	210465288	17.1	X 1.6	210561780	114.0	X 1.78	210465249	85.0	X 2.0
210464889	6.0	X 1.0	210466012	18.1	X 1.6	210465087	117.1	X 1.78	210465630	90.0	X 2.0
210465221	7.0	X 1.0	210465344	19.1	X 1.6	210562817	120.4	X 1.78	210561144	95.0	X 2.0
210465192	8.0	X 1.0	210462301	22.1	X 1.6	210561710	123.4	X 1.78	210561249	100.0	X 2.0
210465240	9.0	X 1.0	210465242	25.1	X 1.6	210561182	126.7	X 1.78	210461533	3.3	X 2.4
210465488	10.0	X 1.0	210463885	27.1	X 1.6	210562910	129.4	X 1.78	210464450	4.3	X 2.4
210465193	11.0	X 1.0	210463886	29.1	X 1.6	210561189	133.0	X 1.78	210562115	4.6	X 2.4
210465793	12.0	X 1.0	210463887	32.1	X 1.6	210465830	4.0	X 2.0	210461547	5.3	X 2.4
210466647	13.0	X 1.0	210463888	35.1	X 1.6	210561527	4.5	X 2.0	210464186	6.3	X 2.4
210561027	14.0	X 1.0	210463889	37.1	X 1.6	210465822	5.0	X 2.0	210461492	7.3	X 2.4
210561031	15.0	X 1.0	210466657	1.78	X 1.78	210561752	5.5	X 2.0	210562943	7.6	X 2.4
210561936	16.0	X 1.0	210561739	2.57	X 1.78	210465785	6.0	X 2.0	210464451	8.3	X 2.4
210561983	18.0	X 1.0	210464449	2.9	X 1.78	210466413	7.0	X 2.0	210562134	8.6	X 2.4
210561334	20.0	X 1.0	210562586	3.17	X 1.78	210561470	7.5	X 2.0	210461412	9.3	X 2.4
210562102	0.73	X 1.02	210465326	3.69	X 1.78	210465854	8.0	X 2.0	210561554	9.6	X 2.4
210466829	1.06	X 1.27	210465551	4.48	X 1.78	210465293	8.5	X 2.0	210464452	10.3	X 2.4
210465568	3.0	X 1.5	210465606	4.76	X 1.78	210465743	9.0	X 2.0	210561546	10.6	X 2.4
210561004	3.5	X 1.5	210466021	5.28	X 1.78	210466393	10.0	X 2.0	210461332	11.3	X 2.4
210465710	4.0	X 1.5	210465189	6.07	X 1.78	210465701	10.5	X 2.0	210465235	11.6	X 2.4
210561640	4.5	X 1.5	210465285	6.35	X 1.78	210465750	11.0	X 2.0	210464453	12.3	X 2.4
210465715	5.0	X 1.5	210466282	6.75	X 1.78	210461786	12.0	X 2.0	210465901	12.6	X 2.4
210465612	5.5	X 1.5	210464572	7.66	X 1.78	210466169	13.0	X 2.0	210461351	13.3	X 2.4
210465719	6.0	X 1.5	210562336	7.94	X 1.78	210465819	14.0	X 2.0	210562944	13.6	X 2.4
210561641	6.5	X 1.5	210466219	8.73	X 1.78	210463754	15.0	X 2.0	210463744	14.3	X 2.4
210465556	7.0	X 1.5	210464511	9.25	X 1.78	210561560	16.0	X 2.0	210562945	14.6	X 2.4
210465741	7.5	X 1.5	210466427	10.82	X 1.78	210466699	17.0	X 2.0	210461379	15.3	X 2.4
210465714	8.0	X 1.5	210465315	11.11	X 1.78	210466419	18.0	X 2.0	210562946	15.6	X 2.4
210466557	8.5	X 1.5	210466231	12.42	X 1.78	210463102	19.0	X 2.0	210464454	16.3	X 2.4
210465855	9.0	X 1.5	210466129	14.0	X 1.78	210466170	20.0	X 2.0	210561779	16.6	X 2.4
210561642	9.5	X 1.5	210465292	15.6	X 1.78	210465832	21.0	X 2.0	210461413	17.3	X 2.4
210465553	10.0	X 1.5	210466387	17.17	X 1.78	210462913	22.0	X 2.0	210561542	17.6	X 2.4
210561289	11.0	X 1.5	210466642	18.77	X 1.78	210561322	23.0	X 2.0	210561704	18.3	X 2.4
210462449	11.5	X 1.5	210466218	20.35	X 1.78	210463414	24.0	X 2.0	210561034	18.6	X 2.4
210465783	12.0	X 1.5	210466234	21.95	X 1.78	210465735	25.0	X 2.0	210466406	19.3	X 2.4
210465676	13.0	X 1.5	210466757	23.52	X 1.78	210561281	26.0	X 2.0	210561037	19.6	X 2.4
210465675	14.0	X 1.5	210466863	25.12	X 1.78	210465869	27.0	X 2.0	210465588	20.3	X 2.4
210465673	15.0	X 1.5	210466559	26.7	X 1.78	210463323	28.0	X 2.0	210561524	21.3	X 2.4
210465711	16.0	X 1.5	210466560	28.3	X 1.78	210466317	30.0	X 2.0	210561041	21.6	X 2.4
210465761	17.0	X 1.5	210466643	29.87	X 1.78	210561059	32.0	X 2.0	210466690	22.3	X 2.4
210561328	18.0	X 1.5	210466235	31.47	X 1.78	210462412	33.0	X 2.0	210462169	23.3	X 2.4
210465664	19.0	X 1.5	210466582	33.05	X 1.78	210465669	34.0	X 2.0	210561046	24.6	X 2.4
210465712	20.0	X 1.5	210466386	34.65	X 1.78	210466045	35.0	X 2.0	210465961	25.3	X 2.4
210465341	21.0	X 1.5	210562901	36.27	X 1.78	210465194	36.0	X 2.0	210561053	27.6	X 2.4
210462741	22.0	X 1.5	210466694	37.82	X 1.78	210465569	37.0	X 2.0	210465539	29.6	X 2.4
210561441	23.0	X 1.5	210562932	39.45	X 1.78	210465056	38.0	X 2.0	210465437	30.3	X 2.4
210465619	24.0	X 1.5	210466725	41.0	X 1.78	210562917	39.0	X 2.0	210561058	31.6	X 2.4
210464388	25.0	X 1.5	210465765	44.17	X 1.78	210466316	40.0	X 2.0	210466188	33.3	X 2.4
210466816	26.0	X 1.5	210466621	47.35	X 1.78	210561083	42.0	X 2.0	210561063	34.6	X 2.4
210562005	27.0	X 1.5	210466678	50.52	X 1.78	210463103	45.0	X 2.0	210561072	37.6	X 2.4
210562138	27.5	X 1.5	210465375	53.7	X 1.78	210561282	46.0	X 2.0	210561078	39.6	X 2.4
210465704	28.0	X 1.5	210465085	56.87	X 1.78	210561112	47.0	X 2.0	210561082	41.6	X 2.4
210462410	30.0	X 1.5	210466726	60.0	X 1.78	210466066	48.0	X 2.0	210561092	47.6	X 2.4
210561064	35.0	X 1.5	210561248	63.22	X 1.78	210465699	50.0	X 2.0	210561095	49.6	X 2.4
210466619	1.42	X 1.52	210466727	66.4	X 1.78	210466441	52.0	X 2.0	210561099	51.6	X 2.4
210462914	3.1	X 1.6	210561764	69.57	X 1.78	210561795	53.0	X 2.0	210561102	54.6	X 2.4
210461915	4.1	X 1.6	210465086	72.74	X 1.78	210462650	55.0	X 2.0	210561110	57.6	X 2.4
210465441	5.1	X 1.6	210466698	75.9	X 1.78	210561106	56.0	X 2.0	210465481	59.6	X 2.4
210464998	6.1	X 1.6	210562211	79.0	X 1.78	210562089	58.0	X 2.0	210561114	61.6	X 2.4
210464784	7.1	X 1.6	210465629	82.28	X 1.78	210466443	60.0	X 2.0	210561120	64.6	X 2.4
210465060	8.1	X 1.6	210561138	85.34	X 1.78	210465500	62.0	X 2.0	210562146	67.6	X 2.4
210462723	9.1	X 1.6	210465740	88.62	X 1.78	210463694	63.0	X 2.0	210561124	69.6	X 2.4
210465636	10.1	X 1.6	210466971	91.7	X 1.78	210561266	65.0	X 2.0	210465473	5.0	X 2.5
210465061	11.1	X 1.6	210561143	94.97	X 1.78	210561827	66.0	X 2.0	210465472	6.0	X 2.5
210465266	12.1	X 1.6	210561515	98.05	X 1.78	210561468	70.0	X 2.0	210561344	7.0	X 2.5

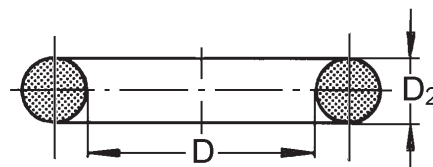
Verktygsnr	D	D ₂	Verktygsnr	D	D ₂	Verktygsnr	D	D ₂	Verktygsnr	D	D ₂
210561017	8.0	X 2.5	210465374	13.95	X 2.62	210561252	215.6	X 2.62	210466784	53.0	X 3.0
210466972	9.0	X 2.5	210460779	15.08	X 2.62	210561227	221.9	X 2.62	210561993	54.0	X 3.0
210465080	10.0	X 2.5	210464509	15.54	X 2.62	210562043	228.3	X 2.62	210463731	54.5	X 3.0
210466977	11.0	X 2.5	210465318	15.88	X 2.62	210561333	234.6	X 2.62	210561327	56.0	X 3.0
210465820	12.0	X 2.5	210465573	17.13	X 2.62	210562237	240.9	X 2.62	210461762	57.2	X 3.0
210561724	13.0	X 2.5	210466116	17.86	X 2.62	210562015	247.3	X 2.62	210561315	58.0	X 3.0
210465066	14.0	X 2.5	210464132	18.72	X 2.62	210465875	9.0	X 3.0	210561425	59.0	X 3.0
210461562	15.0	X 2.5	210466192	20.24	X 2.62	210466205	10.0	X 3.0	210462411	59.5	X 3.0
210465465	16.0	X 2.5	210464616	20.63	X 2.62	210464341	12.0	X 3.0	210466957	60.0	X 3.0
210465804	17.0	X 2.5	210466767	21.89	X 2.62	210464742	13.0	X 3.0	210561115	62.0	X 3.0
210466410	18.0	X 2.5	210464967	22.22	X 2.62	210461792	14.0	X 3.0	210563196	62.2	X 3.0
210561505	19.0	X 2.5	210466689	23.47	X 2.62	210465856	15.0	X 3.0	210461623	64.0	X 3.0
210466077	20.0	X 2.5	210466266	23.81	X 2.62	210462911	16.0	X 3.0	210463574	64.5	X 3.0
210561329	21.0	X 2.5	210466768	25.07	X 2.62	210466015	17.0	X 3.0	210466843	68.0	X 3.0
210561042	22.0	X 2.5	210466735	26.64	X 2.62	210465929	17.2	X 3.0	210463732	69.5	X 3.0
210466704	23.0	X 2.5	210466682	28.25	X 2.62	210465440	18.0	X 3.0	210561463	70.0	X 3.0
210561451	24.0	X 2.5	210464579	29.85	X 2.62	210466649	18.2	X 3.0	210461629	72.0	X 3.0
210465744	25.0	X 2.5	210466160	31.42	X 2.62	210461867	19.0	X 3.0	210561125	74.0	X 3.0
210561048	26.0	X 2.5	210466236	33.0	X 2.62	210461377	19.2	X 3.0	210463738	74.5	X 3.0
210466956	27.0	X 2.5	210466718	34.59	X 2.62	210466990	20.0	X 3.0	210562175	75.0	X 3.0
210466438	28.0	X 2.5	210466724	36.17	X 2.62	210465212	21.0	X 3.0	210461648	76.0	X 3.0
210466991	29.0	X 2.5	210466209	37.77	X 2.62	210461468	21.2	X 3.0	210466014	78.0	X 3.0
210463699	30.0	X 2.5	210466736	39.34	X 2.62	210462700	21.5	X 3.0	210463733	79.5	X 3.0
210561060	32.0	X 2.5	210466237	40.95	X 2.62	210465725	22.0	X 3.0	210561696	82.0	X 3.0
210561298	33.0	X 2.5	210466232	42.52	X 2.62	210461378	22.2	X 3.0	210461650	84.5	X 3.0
210465294	34.0	X 2.5	210466511	44.12	X 2.62	210465442	23.0	X 3.0	210561901	85.0	X 3.0
210465868	35.0	X 2.5	210466238	45.69	X 2.62	210465858	24.0	X 3.0	210561567	88.0	X 3.0
210466409	36.0	X 2.5	210466711	47.29	X 2.62	210461375	24.2	X 3.0	210461821	89.5	X 3.0
210561070	37.0	X 2.5	210466664	48.9	X 2.62	210461781	25.0	X 3.0	210561507	90.0	X 3.0
210465585	38.0	X 2.5	210466239	50.47	X 2.62	210561049	26.0	X 3.0	210466291	92.0	X 3.0
210561076	39.0	X 2.5	210466645	52.07	X 2.62	210461491	26.2	X 3.0	210462744	94.5	X 3.0
210465555	40.0	X 2.5	210466731	53.65	X 2.62	210561547	26.5	X 3.0	210561506	95.0	X 3.0
210561320	41.0	X 2.5	210466177	55.25	X 2.62	210561050	27.0	X 3.0	210465865	96.0	X 3.0
210466411	42.0	X 2.5	210466176	56.82	X 2.62	210561052	27.5	X 3.0	210464167	99.5	X 3.0
210561837	45.0	X 2.5	210466279	58.42	X 2.62	210463933	28.0	X 3.0	210562109	100.0	X 3.0
210562539	47.0	X 2.5	210465548	60.0	X 2.62	210465464	28.2	X 3.0	210462250	102.0	X 3.0
210465784	48.0	X 2.5	210466161	61.6	X 2.62	210461331	29.2	X 3.0	210464236	104.5	X 3.0
210561265	50.0	X 2.5	210466988	63.17	X 2.62	210562606	29.5	X 3.0	210561459	105.0	X 3.0
210462287	51.0	X 2.5	210466049	64.77	X 2.62	210561056	30.0	X 3.0	210465878	108.0	X 3.0
210562463	52.0	X 2.5	210465815	66.34	X 2.62	210466106	30.2	X 3.0	210462034	109.5	X 3.0
210462288	54.0	X 2.5	210465814	67.94	X 2.62	210465433	31.2	X 3.0	210561996	110.0	X 3.0
210461415	55.0	X 2.5	210465813	69.52	X 2.62	210561057	31.5	X 3.0	210463734	114.5	X 3.0
210561109	57.0	X 2.5	210466397	71.12	X 2.62	210561061	32.0	X 3.0	210561561	115.0	X 3.0
210565017	59.0	X 2.5	210561982	72.69	X 2.62	210461556	32.2	X 3.0	210561170	118.0	X 3.0
210466444	60.0	X 2.5	210562477	74.3	X 2.62	210461242	34.2	X 3.0	210462986	119.5	X 3.0
210561694	63.0	X 2.5	210465861	75.87	X 2.62	210461826	35.0	X 3.0	210561176	122.0	X 3.0
210561574	65.0	X 2.5	210562387	77.5	X 2.62	210561066	35.2	X 3.0	210562532	124.0	X 3.0
210562147	66.0	X 2.5	210562794	80.6	X 2.62	210561069	36.0	X 3.0	210463735	124.5	X 3.0
210561442	70.0	X 2.5	210465649	82.22	X 2.62	210462047	36.2	X 3.0	210561758	126.0	X 3.0
210465906	72.0	X 2.5	210562852	83.8	X 2.62	210462125	37.2	X 3.0	210461621	128.0	X 3.0
210561129	75.0	X 2.5	210466941	88.57	X 2.62	210464900	38.0	X 3.0	210463736	129.5	X 3.0
210561271	76.0	X 2.5	210561142	94.92	X 2.62	210461414	39.2	X 3.0	210562907	134.0	X 3.0
210562552	80.0	X 2.5	210465774	101.3	X 2.62	210562837	39.5	X 3.0	210462985	134.5	X 3.0
210465681	85.0	X 2.5	210561156	107.6	X 2.62	210462485	40.0	X 3.0	210562160	138.0	X 3.0
210465685	90.0	X 2.5	210465810	113.9	X 2.62	210561081	41.5	X 3.0	210463664	139.5	X 3.0
210561736	100.0	X 2.5	210465209	120.3	X 2.62	210562166	42.0	X 3.0	210461957	142.0	X 3.0
210562221	1.24	X 2.62	210465973	126.7	X 2.62	210461723	42.2	X 3.0	210463737	144.5	X 3.0
210562222	2.06	X 2.62	210465742	133.0	X 2.62	210561541	42.5	X 3.0	210561198	149.5	X 3.0
210562223	2.84	X 2.62	210561707	139.4	X 2.62	210561085	43.0	X 3.0	210462430	150.0	X 3.0
210562224	3.63	X 2.62	210466709	145.7	X 2.62	210461470	44.2	X 3.0	210562990	154.0	X 3.0
210561762	4.42	X 2.62	210561725	152.1	X 2.62	210561062	45.0	X 3.0	210461958	154.5	X 3.0
210562226	5.23	X 2.62	210561825	158.4	X 2.62	210461624	46.0	X 3.0	210562991	155.0	X 3.0
210465628	6.02	X 2.62	210561204	164.8	X 2.62	210561090	46.2	X 3.0	210561201	159.5	X 3.0
210465186	7.59	X 2.62	210561207	171.1	X 2.62	210561290	47.0	X 3.0	210465328	164.5	X 3.0
210466190	9.19	X 2.62	210561784	177.5	X 2.62	210462360	48.0	X 3.0	210565327	165.0	X 3.0
210466115	9.92	X 2.62	210562069	183.8	X 2.62	210561955	49.0	X 3.0	210463053	168.0	X 3.0
210463751	10.78	X 2.62	210561807	190.2	X 2.62	210463730	49.5	X 3.0	210561206	169.5	X 3.0
210466191	11.91	X 2.62	210561247	196.5	X 2.62	210461864	50.0	X 3.0	210461972	170.0	X 3.0
210462722	12.37	X 2.62	210561217	202.9	X 2.62	210562155	51.0	X 3.0	210561208	174.5	X 3.0
210460778	13.1	X 2.62	210562042	209.2	X 2.62	210465853	52.0	X 3.0	210462570	175.0	X 3.0

Verktygsnr	D	D ₂	Verktygsnr	D	D ₂	Verktygsnr	D	D ₂	Verktygsnr	D	D ₂
210562130	179.5	X 3.0	210464560	37.69	X 3.53	210466830	228.2	X 3.53	210561161	110.0	X 4.0
210561210	184.5	X 3.0	210466357	39.69	X 3.53	210466980	234.5	X 3.53	210561452	112.0	X 4.0
210461779	189.5	X 3.0	210466984	40.87	X 3.53	210466477	240.9	X 3.53	210561772	115.0	X 4.0
210461787	194.5	X 3.0	210466181	41.28	X 3.53	210465812	247.2	X 3.53	210562288	118.0	X 4.0
210562607	199.5	X 3.0	210465277	42.86	X 3.53	210466770	253.6	X 3.53	210561172	120.0	X 4.0
210466452	200.0	X 3.0	210466052	44.04	X 3.53	210465808	266.3	X 3.53	210561568	122.0	X 4.0
210561326	205.0	X 3.0	210466323	44.45	X 3.53	210465611	279.0	X 3.53	210464652	124.0	X 4.0
210461615	209.5	X 3.0	210466120	46.04	X 3.53	210561246	291.7	X 3.53	210561180	126.0	X 4.0
210464793	210.0	X 3.0	210464651	47.2	X 3.53	210465698	304.4	X 3.53	210465787	128.0	X 4.0
210561899	215.0	X 3.0	210466047	47.63	X 3.53	210465809	329.8	X 3.53	210561185	130.0	X 4.0
210561339	219.5	X 3.0	210466121	49.21	X 3.53	210465807	355.2	X 3.53	210561188	132.0	X 4.0
210561518	220.0	X 3.0	210466036	50.4	X 3.53	210561258	380.6	X 3.53	210466778	135.0	X 4.0
210464361	230.0	X 3.0	210464613	50.8	X 3.53	210562026	405.3	X 3.53	210465786	138.0	X 4.0
210464914	230.5	X 3.0	210466296	52.39	X 3.53	210562238	430.7	X 3.53	210561242	140.0	X 4.0
210561233	239.5	X 3.0	210466053	53.57	X 3.53	210562008	456.1	X 3.53	210561195	142.0	X 4.0
210466474	240.0	X 3.0	210466122	55.56	X 3.53	210561022	10.0	X 4.0	210561454	144.0	X 4.0
210561236	249.5	X 3.0	210466185	56.74	X 3.53	210465620	12.0	X 4.0	210561197	145.0	X 4.0
210561973	250.0	X 3.0	210463758	57.15	X 3.53	210466343	14.0	X 4.0	210461985	150.0	X 4.0
210465749	10.0	X 3.5	210466123	58.74	X 3.53	210465230	15.0	X 4.0	210466715	155.0	X 4.0
210562194	15.0	X 3.5	210466186	59.92	X 3.53	210463241	16.0	X 4.0	210461986	160.0	X 4.0
210462077	18.0	X 3.5	210466194	60.33	X 3.53	210462597	18.0	X 4.0	210466779	165.0	X 4.0
210461752	22.0	X 3.5	210466394	61.9	X 3.53	210466051	19.0	X 4.0	210561336	170.0	X 4.0
210561044	24.0	X 3.5	210466495	63.09	X 3.53	210464141	20.0	X 4.0	210561692	172.0	X 4.0
210561817	28.0	X 3.5	210464458	63.5	X 3.53	210561043	22.0	X 4.0	210465833	180.0	X 4.0
210462123	30.0	X 3.5	210466399	65.1	X 3.53	210466504	23.0	X 4.0	210562082	190.0	X 4.0
210462691	35.0	X 3.5	210561122	66.27	X 3.53	210466326	24.0	X 4.0	210465483	192.0	X 4.0
210561757	36.0	X 3.5	210466302	66.67	X 3.53	210466872	25.0	X 4.0	210465096	200.0	X 4.0
210466546	38.0	X 3.5	210466382	68.26	X 3.53	210464888	26.0	X 4.0	210465111	210.0	X 4.0
210465462	40.0	X 3.5	210466680	69.44	X 3.53	210462621	28.0	X 4.0	210465204	220.0	X 4.0
210463368	52.0	X 3.5	210466195	69.85	X 3.53	210466071	30.0	X 4.0	210466692	228.0	X 4.0
210562171	55.0	X 3.5	210466196	71.44	X 3.53	210466434	31.0	X 4.0	210561479	230.0	X 4.0
210565249	59.0	X 3.5	210466277	72.62	X 3.53	210465302	32.0	X 4.0	210563054	235.0	X 4.0
210466065	70.0	X 3.5	210466268	73.03	X 3.53	210463702	34.0	X 4.0	210561846	240.0	X 4.0
210561130	75.0	X 3.5	210466241	74.6	X 3.53	210561065	35.0	X 4.0	210465211	250.0	X 4.0
210562974	77.0	X 3.5	210465692	75.79	X 3.53	210561860	36.0	X 4.0	210561280	255.0	X 4.0
210561937	80.0	X 3.5	210466054	78.97	X 3.53	210466507	38.0	X 4.0	210561693	265.0	X 4.0
210561801	93.0	X 3.5	210465397	82.14	X 3.53	210465794	40.0	X 4.0	210561529	270.0	X 4.0
210561581	100.0	X 3.5	210466551	85.32	X 3.53	210464997	42.0	X 4.0	210561481	285.0	X 4.0
210562075	103.0	X 3.5	210466004	88.5	X 3.53	210561912	44.0	X 4.0	210465975	290.0	X 4.0
210562871	120.0	X 3.5	210466846	91.67	X 3.53	210465420	45.0	X 4.0	210561911	315.0	X 4.0
210465928	125.0	X 3.5	210466777	94.84	X 3.53	210561781	47.0	X 4.0	210561257	320.0	X 4.0
210562049	135.0	X 3.5	210466644	98.02	X 3.53	210463833	48.0	X 4.0	210561940	330.0	X 4.0
210563280	150.0	X 3.5	210466515	101.2	X 3.53	210466092	50.0	X 4.0	210562487	350.0	X 4.0
210465122	155.0	X 3.5	210466005	104.4	X 3.53	210561613	52.0	X 4.0	210561822	355.0	X 4.0
210561974	160.0	X 3.5	210466247	107.5	X 3.53	210562131	54.0	X 4.0	210465196	360.0	X 4.0
210562277	170.0	X 3.5	210466574	110.7	X 3.53	210561104	55.0	X 4.0	210561768	370.0	X 4.0
210562994	180.0	X 3.5	210466006	113.9	X 3.53	210461849	56.0	X 4.0	210466456	380.0	X 4.0
210561570	220.0	X 3.5	210466249	117.1	X 3.53	210562275	57.0	X 4.0	210562136	390.0	X 4.0
210561862	260.0	X 3.5	210466250	120.2	X 3.53	210464177	58.0	X 4.0	210561729	410.0	X 4.0
210562225	4.34	X 3.53	210466719	123.4	X 3.53	210466465	60.0	X 4.0	210561852	470.0	X 4.0
210562227	5.94	X 3.53	210465802	126.6	X 3.53	210561116	62.0	X 4.0	210466153	10.0	X 5.0
210562027	9.12	X 3.53	210465776	129.8	X 3.53	210561272	65.0	X 4.0	210463592	15.0	X 5.0
210561024	10.69	X 3.53	210466720	132.9	X 3.53	210562295	67.0	X 4.0	210465019	18.0	X 5.0
210561312	12.29	X 3.53	210466822	136.1	X 3.53	210562282	68.0	X 4.0	210462460	20.0	X 5.0
210465129	13.87	X 3.53	210466564	139.3	X 3.53	210466461	70.0	X 4.0	210461856	22.0	X 5.0
210561032	15.47	X 3.53	210466729	142.5	X 3.53	210463106	72.0	X 4.0	210561045	24.0	X 5.0
210561033	17.04	X 3.53	210466257	145.6	X 3.53	210561158	75.0	X 4.0	210462458	25.0	X 5.0
210463759	18.64	X 3.53	210466216	148.8	X 3.53	210466010	80.0	X 4.0	210464182	28.0	X 5.0
210463679	20.22	X 3.53	210466278	152.0	X 3.53	210466676	82.0	X 4.0	210462550	30.0	X 5.0
210466184	21.82	X 3.53	210466055	158.3	X 3.53	210562036	84.0	X 4.0	210463579	32.0	X 5.0
210464566	23.4	X 3.53	210561929	164.7	X 3.53	210465764	85.0	X 4.0	210466913	33.0	X 5.0
210464820	24.99	X 3.53	210466721	171.0	X 3.53	210561314	88.0	X 4.0	210461038	35.0	X 5.0
210466061	25.8	X 3.53	210466712	177.4	X 3.53	210466610	90.0	X 4.0	210466933	36.0	X 5.0
210464620	26.58	X 3.53	210466733	183.7	X 3.53	210561141	92.0	X 4.0	210463591	38.0	X 5.0
210466044	28.17	X 3.53	210466722	190.1	X 3.53	210561146	95.0	X 4.0	210461827	40.0	X 5.0
210465034	29.75	X 3.53	210466723	196.4	X 3.53	210561416	96.0	X 4.0	210561084	42.0	X 5.0
210466037	31.34	X 3.53	210466414	202.8	X 3.53	210466875	100.0	X 4.0	210461010	45.0	X 5.0
210466117	32.93	X 3.53	210466691	209.1	X 3.53	210466295	102.0	X 4.0	210561091	47.0	X 5.0
210464783	34.52	X 3.53	210466162	215.5	X 3.53	210561155	105.0	X 4.0	210561093	48.0	X 5.0
210466118	36.1	X 3.53	210466261	221.8	X 3.53	210561343	108.0	X 4.0	210463943	50.0	X 5.0

Verktygsnr	D	D ₂	Verktygsnr	D	D ₂	Verktygsnr	D	D ₂	Verktygsnr	D	D ₂
210463436	55.0	X 5.0	210561288	34.29	X 5.33	210561952	247.0	X 5.33	210462734	319.3	X 5.7
210462566	60.0	X 5.0	210464728	37.47	X 5.33	210561958	253.6	X 5.33	210465244	339.3	X 5.7
210561117	62.0	X 5.0	210464547	40.65	X 5.33	210561787	266.1	X 5.33	210464535	359.3	X 5.7
210461828	65.0	X 5.0	210466119	43.82	X 5.33	210561285	278.8	X 5.33	210464952	379.3	X 5.7
210461869	70.0	X 5.0	210464729	47.0	X 5.33	210562118	291.5	X 5.33	210465287	399.3	X 5.7
210462641	75.0	X 5.0	210466148	50.16	X 5.33	210561997	304.2	X 5.33	210466038	419.3	X 5.7
210465655	80.0	X 5.0	210466384	53.34	X 5.33	210561331	329.5	X 5.33	210463984	439.3	X 5.7
210461859	85.0	X 5.0	210464419	56.52	X 5.33	210561811	354.9	X 5.33	210464705	459.3	X 5.7
210463589	90.0	X 5.0	210461894	59.7	X 5.33	210561499	380.4	X 5.33	210462488	479.3	X 5.7
210464630	95.0	X 5.0	210466124	62.87	X 5.33	210561869	405.3	X 5.33	210464337	499.3	X 5.7
210561443	98.0	X 5.0	210464140	66.04	X 5.33	210561998	430.7	X 5.33	210562730	305.0	X 6.0
210464005	100.0	X 5.0	210466322	69.22	X 5.33	210561262	456.1	X 5.33	210466519	113.7	X 6.99
210461860	105.0	X 5.0	210466267	72.4	X 5.33	210465811	481.4	X 5.33	210466591	114.7	X 6.99
210465656	110.0	X 5.0	210466242	74.63	X 5.33	210562241	506.8	X 5.33	210466592	116.8	X 6.99
210461817	115.0	X 5.0	210466125	75.57	X 5.33	210561533	532.2	X 5.33	210466593	120.0	X 6.99
210561173	120.0	X 5.0	210466337	78.74	X 5.33	210562242	557.6	X 5.33	210466594	123.2	X 6.99
210463588	125.0	X 5.0	210466269	79.77	X 5.33	210562243	582.7	X 5.33	210466595	124.6	X 6.99
210464546	130.0	X 5.0	210464420	81.92	X 5.33	210562244	608.1	X 5.33	210466596	126.4	X 6.99
210460630	135.0	X 5.0	210466098	85.09	X 5.33	210562245	633.5	X 5.33	210466428	129.5	X 6.99
210561193	140.0	X 5.0	210466156	88.27	X 5.33	210562247	658.9	X 5.33	210466254	132.7	X 6.99
210462708	145.0	X 5.0	210466400	89.69	X 5.33	210466565	39.2	X 5.7	210466597	134.5	X 6.99
210461861	150.0	X 5.0	210464457	91.44	X 5.33	210461330	44.2	X 5.7	210466255	135.9	X 6.99
210561268	155.0	X 5.0	210466243	94.62	X 5.33	210561087	45.3	X 5.7	210466598	139.1	X 6.99
210461816	160.0	X 5.0	210466244	97.8	X 5.33	210466462	47.2	X 5.7	210466256	142.2	X 6.99
210561205	165.0	X 5.0	210466270	100.0	X 5.33	210461392	49.2	X 5.7	210466466	145.4	X 6.99
210466854	170.0	X 5.0	210466182	101.0	X 5.33	210561480	52.2	X 5.7	210466383	148.6	X 6.99
210561209	175.0	X 5.0	210466245	104.1	X 5.33	210461371	54.2	X 5.7	210466599	151.8	X 6.99
210465262	180.0	X 5.0	210466246	107.3	X 5.33	210461374	59.2	X 5.7	210466352	155.6	X 6.99
210561213	190.0	X 5.0	210466248	109.5	X 5.33	210464924	61.2	X 5.7	210466520	158.1	X 6.99
210463632	195.0	X 5.0	210466233	110.5	X 5.33	210466344	62.2	X 5.7	210466521	159.5	X 6.99
210464136	200.0	X 5.0	210466157	113.7	X 5.33	210461328	64.2	X 5.7	210466479	161.9	X 6.99
210561679	205.0	X 5.0	210562006	116.8	X 5.33	210461329	69.2	X 5.7	210466480	164.5	X 6.99
210463545	210.0	X 5.0	210466401	117.5	X 5.33	210461327	74.2	X 5.7	210466339	166.7	X 6.99
210462979	220.0	X 5.0	210561175	120.0	X 5.33	210461326	79.2	X 5.7	210466600	168.3	X 6.99
210561232	230.0	X 5.0	210466252	120.7	X 5.33	210561135	82.2	X 5.7	210466601	170.8	X 6.99
210465657	235.0	X 5.0	210562234	123.2	X 5.33	210461638	84.1	X 5.7	210466602	174.6	X 6.99
210465658	240.0	X 5.0	210466402	123.8	X 5.33	210461325	89.1	X 5.7	210466603	177.2	X 6.99
210561292	245.0	X 5.0	210562217	126.4	X 5.33	210461486	94.1	X 5.7	210466604	181.0	X 6.99
210561237	250.0	X 5.0	210466253	127.0	X 5.33	210461373	99.1	X 5.7	210466509	183.5	X 6.99
210561995	255.0	X 5.0	210562132	129.5	X 5.33	210462029	104.1	X 5.7	210466605	187.3	X 6.99
210465659	260.0	X 5.0	210466341	130.2	X 5.33	210461324	109.1	X 5.7	210466271	189.9	X 6.99
210561223	270.0	X 5.0	210561986	132.7	X 5.33	210462808	114.3	X 5.7	210466606	193.7	X 6.99
210461831	280.0	X 5.0	210466493	133.4	X 5.33	210462400	119.3	X 5.7	210466607	196.2	X 6.99
210561926	290.0	X 5.0	210561914	135.9	X 5.33	210462471	124.3	X 5.7	210466259	202.6	X 6.99
210465590	305.0	X 5.0	210466588	136.5	X 5.33	210463739	129.3	X 5.7	210466609	208.9	X 6.99
210561316	330.0	X 5.0	210562235	139.1	X 5.33	210461895	134.3	X 5.7	210466260	215.3	X 6.99
210466974	340.0	X 5.0	210466589	139.7	X 5.33	210462788	139.3	X 5.7	210466522	221.6	X 6.99
210562137	345.0	X 5.0	210562236	142.2	X 5.33	210462726	144.3	X 5.7	210466363	227.9	X 6.99
210561313	360.0	X 5.0	210466340	142.9	X 5.33	210462961	149.3	X 5.7	210466555	234.3	X 6.99
210562145	375.0	X 5.0	210561424	145.4	X 5.33	210463740	154.3	X 5.7	210466183	240.7	X 6.99
210464475	400.0	X 5.0	210466590	146.1	X 5.33	210462502	159.3	X 5.7	210466272	247.0	X 6.99
210562385	445.0	X 5.0	210561755	148.6	X 5.33	210461646	164.3	X 5.7	210466611	253.6	X 6.99
210465233	450.0	X 5.0	210466258	149.2	X 5.33	210463741	169.3	X 5.7	210466612	259.7	X 6.99
210561520	490.0	X 5.0	210465185	151.8	X 5.33	210462737	174.3	X 5.7	210466262	266.1	X 6.99
210463677	500.0	X 5.30	210561812	155.0	X 5.33	210462907	179.3	X 5.7	210466364	272.4	X 6.99
210562228	10.46	X 5.33	210461842	158.1	X 5.33	210465161	184.3	X 5.7	210461836	278.8	X 6.99
210562229	12.07	X 5.33	210561767	161.3	X 5.33	210464690	189.3	X 5.7	210466613	285.1	X 6.99
210562230	13.64	X 5.33	210465184	164.5	X 5.33	210462738	194.3	X 5.7	210466263	291.5	X 6.99
210561854	15.24	X 5.33	210562942	167.7	X 5.33	210462775	199.3	X 5.7	210466614	297.8	X 6.99
210562231	16.81	X 5.33	210465113	170.8	X 5.33	210464386	204.2	X 5.7	210466481	304.1	X 6.99
210562232	18.42	X 5.33	210465181	177.2	X 5.33	210463008	209.3	X 5.7	210562064	310.5	X 6.99
210562233	19.99	X 5.33	210465967	183.5	X 5.33	210463948	219.3	X 5.7	210466264	316.9	X 6.99
210562019	21.59	X 5.33	210561212	189.9	X 5.33	210462906	229.3	X 5.7	210466572	329.5	X 6.99
210561472	23.17	X 5.33	210465173	196.2	X 5.33	210463949	239.3	X 5.7	210562503	335.9	X 6.99
210561483	24.77	X 5.33	210561216	202.6	X 5.33	210461925	249.3	X 5.7	210466429	342.3	X 6.99
210561905	26.34	X 5.33	210561220	208.9	X 5.33	210464006	259.3	X 5.7	210466615	355.0	X 6.99
210561844	27.93	X 5.33	210465999	215.3	X 5.33	210464411	269.3	X 5.7	210466460	367.7	X 6.99
210561299	29.52	X 5.33	210561229	227.9	X 5.33	210462905	279.3	X 5.7	210466468	380.3	X 6.99
210561482	31.12	X 5.33	210561321	234.3	X 5.33	210464934	289.3	X 5.7	210466224	393.1	X 6.99
210561906	32.69	X 5.33	210561856	240.7	X 5.33	210462484	299.3	X 5.7	210465174	405.3	X 6.99

Verktygsnr	D		D ₂
210465175	417.9	X	6.99
210562239	430.7	X	6.99
210562044	443.4	X	6.99
210465176	456.1	X	6.99
210465177	468.8	X	6.99
210562240	481.5	X	6.99
210465739	494.2	X	6.99
210465178	506.9	X	6.99
210465043	532.3	X	6.99
210562094	557.7	X	6.99
210561815	582.7	X	6.99
210465179	608.1	X	6.99
210562246	633.5	X	6.99
210562248	658.9	X	6.99
210462908	144.1	X	8.4
210463074	149.1	X	8.4
210463079	154.1	X	8.4
210462904	159.1	X	8.4
210463077	164.1	X	8.4
210463051	169.1	X	8.4
210462959	174.1	X	8.4
210463075	179.1	X	8.4
210463078	184.1	X	8.4
210463262	189.1	X	8.4
210463076	194.1	X	8.4
210462776	199.1	X	8.4
210465519	209.1	X	8.4
210462903	219.1	X	8.4
210463806	229.1	X	8.4
210462957	239.1	X	8.4
210463050	249.1	X	8.4

**Toleranser enligt DIN 3771 del 1
eller ISO 3601/1**



Inner diameter D	Tolerans ±	Inner diameter D	Tolerans ±	Inner diameter D	Tolerans ±			
1.8	- 2.79	0.13	75.0	- 77.49	0.66	272	- 279.9	2.02
2.8	- 4.86	0.14	77.5	- 79.99	0.67	280	- 289.9	2.08
4.87	- 6.69	0.15	80.0	- 82.49	0.69	290	- 299.9	2.14
6.7	- 8.75	0.16	82.5	- 84.99	0.71	300	- 306.9	2.21
8.76	- 10.59	0.17	85.0	- 87.49	0.73	307	- 314.9	2.25
10.6	- 11.79	0.18	87.5	- 89.99	0.75	315	- 324.9	2.30
11.8	- 14.99	0.19	90.0	- 92.49	0.77	325	- 334.9	2.37
15.0	- 16.99	0.20	92.5	- 94.99	0.79	335	- 344.9	2.43
17.0	- 18.99	0.21	95.0	- 97.49	0.81	345	- 354.9	2.49
19.0	- 21.19	0.22	97.5	- 99.99	0.83	355	- 364.9	2.56
21.2	- 22.39	0.23	100	- 102.9	0.84	365	- 374.9	2.62
22.4	- 24.99	0.24	103	- 105.9	0.87	375	- 386.9	2.68
25.0	- 25.79	0.25	106	- 108.9	0.89	387	- 399.9	2.76
25.8	- 27.99	0.26	109	- 111.9	0.91	400	- 411.9	2.84
28.0	- 29.99	0.28	112	- 114.9	0.93	412	- 424.9	2.91
30.0	- 31.49	0.29	115	- 117.9	0.95	425	- 436.9	2.99
31.5	- 32.49	0.31	118	- 121.9	0.97	437	- 449.9	3.07
32.5	- 34.49	0.32	122	- 124.9	1.00	450	- 461.9	3.15
34.5	- 35.49	0.33	125	- 127.9	1.03	462	- 474.9	3.22
35.5	- 36.49	0.34	128	- 131.9	1.05	475	- 486.9	3.30
36.5	- 37.49	0.35	132	- 135.9	1.08	487	- 499.9	3.37
37.5	- 38.69	0.36	136	- 139.9	1.10	500	- 514.9	3.45
38.7	- 39.99	0.37	140	- 144.9	1.13	515	- 529.9	3.54
40.0	- 41.19	0.38	145	- 149.9	1.17	530	- 544.9	3.63
41.2	- 42.49	0.39	150	- 154.9	1.20	545	- 559.9	3.72
42.5	- 43.69	0.40	155	- 159.9	1.24	560	- 579.9	3.81
43.7	- 44.99	0.41	160	- 164.9	1.27	580	- 599.9	3.93
45.0	- 46.19	0.42	165	- 169.9	1.31	600	- 614.9	4.05
46.2	- 47.49	0.43	170	- 174.9	1.34	615	- 629.9	4.13
47.5	- 48.69	0.44	175	- 179.9	1.38	630	- 649.9	4.22
48.7	- 49.99	0.45	180	- 184.9	1.41	650	- 669.9	4.34
50.0	- 51.49	0.46	185	- 198.9	1.44	670	- 689.9	4.46
51.5	- 52.99	0.47	190	- 194.9	1.48	≥690		0.65%
53.0	- 54.49	0.48	195	- 199.9	1.51			
54.5	- 55.99	0.50	200	- 205.9	1.55			
56.0	- 57.99	0.51	206	- 211.9	1.59			
58.0	- 59.99	0.52	212	- 217.9	1.63			
60.0	- 61.49	0.54	218	- 223.9	1.67			
61.5	- 62.99	0.55	224	- 229.9	1.71			
63.0	- 64.99	0.56	230	- 235.9	1.75			
65.0	- 66.99	0.58	236	- 242.9	1.79			
67.0	- 68.99	0.59	243	- 249.9	1.83			
69.0	- 70.99	0.61	250	- 257.9	1.88			
71.0	- 72.99	0.63	258	- 264.9	1.93			
73.0	- 74.99	0.64	265	- 271.9	1.98			
						Tvärsnitts diameter D₂		Tolerans ±
						≤2.62	-	0.08
						>2.62	- 3.0	0.09
						>3.00	- 4.5	0.10
						>4.50	- 5.5	0.13
						>5.50	- 7.5	0.15
						>7.50	- 8.5	0.18
						>8.50	- 10.0	0.20

O-ringar inbyggnad (SMS 1588)

Allmänna anvisningar

Principen för O-ringens funktion är att O-ringens hoptrycks mellan omgivande detaljer och åstadkommer tätning mot dessa, se figur 1 – 4.

O-ringar för dynamisk inbyggnad måste för att få goda funktionsegenskaper ha relativt stor tvärsnittsdiаметer i förhållande till ringens innerdiameter.

O-ringar för statisk inbyggnad kan ha mindre tvärsnittsdiаметer, men då utrymmet medger kan även O-ringar med stor tvärsnittsdiаметer användas.

Arbetsstrycket för vilket O-ringar kan användas är beroende av inbyggnadsfall och inbyggnadens mått och toleranser. Se figur 1 – 4. Utsätts O-ringarna för högre tryck än det rekommenderade maximala arbetsstrycket föreligger risk för att materialet pressas ut i spalten mellan detaljerna. Se figur 3. Vid varaktigt höga tryck kan det därför bli nödvändigt att vidta någon av följande åtgärder:

Minska spelet mellan detaljerna. Rekommenderas när tillverkningsmetod och ekonomiska faktorer tillåter.

Använda O-ring av hårdare material. Härvid bör beaktas:

- Medför oftast större sättning
- Högre start- och rörelsefriktion vid dynamiska tätningar.
- Tätningsförmågan vid låga tryck kan minska.

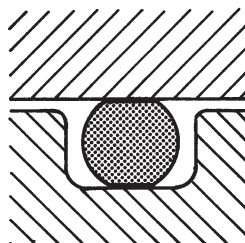
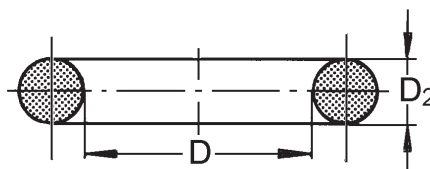
Använda utträngningshinderande stödringar. Se figur 4

Vid både statisk och dynamisk inbyggnad utsätts O-ringarna för nötning om trycket är varierande eller pulserande. För att minska O-ringarnas slitning bör de vara smorda och inbyggnadsdelarnas ytjämnhet så god som möjligt. Vid mycket låga icke-pulserande eller växlande tryck kan för statiska tätningar något sämre ytjämnhet tillåtas än de exemplifierade användas.

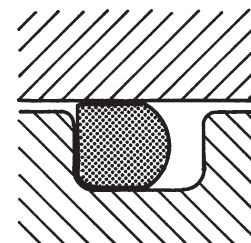
Skarpa kanter, hål, gängor eller dylikt, vilka O-ringens kommer i kontakt med vid monteringen, fasas och rundas i överensstämmelse med nedanstående figurer och tabeller.

Tabell 1

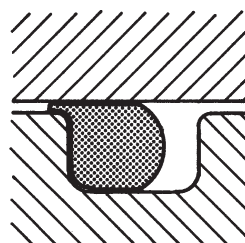
O-ringens tvärsnitt.D ₂	1.6	2.4	3.0	5.7	8.4
F min	0.5	0.6	0.7	0.9	1.1



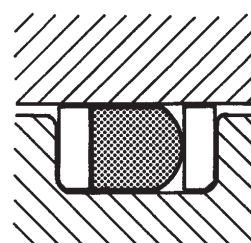
Figur 1. Inget arbetsstryck



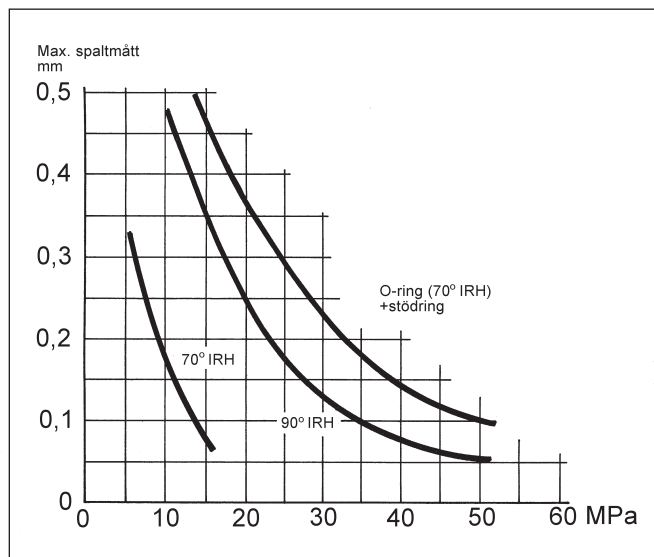
Figur 2. Reguljärt arbetsstryck



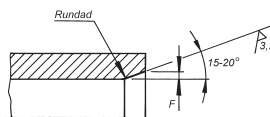
Figur 3. Tryck som överstiger max arbetsstryck men som momentant kan tillåtas.



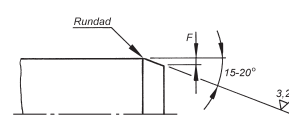
Figur 4. Högt tryck varvid utträngningshinderande stödringar används.



Figur 5. I ovanstående figur visas funktionen spalttryck, statisk applikation, dels för O-ring 70° IRH och 90° IRH utan stödringar (Parkers seal Co handbok) dels för O-ring 70° IRH med stödringar.



Figur 6. Invändig fas.



Figur 7. Utvändig fas.

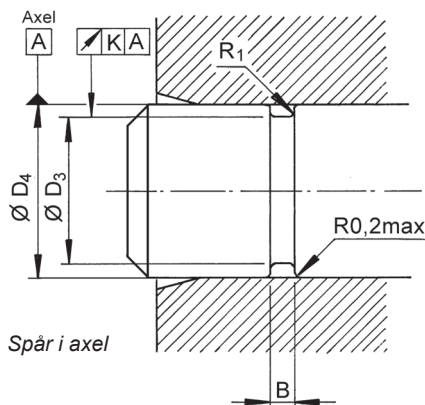
Dynamisk inbyggnad, svensk standard

Standardiserade toleranser anges i tabellerna.

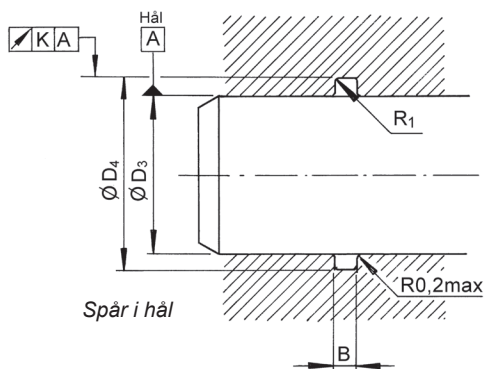
Önskar man liten variation av tätningsfriktionen hos olika exemplar av samma enhet, bör toleransvidderna för såväl O-ring som omgivande detaljer vara små.

Snävare toleranser än enligt nedanstående tabeller kan erfordras i vissa fall.

Avvikelse från angivna inbyggnadsmått kan vid speciella användningsområden vara nödvändiga. Tillämpas inbyggnadsmåtten enligt tabell, erhålls ett medelvärde på friktionen. Axel respektive hål får ha ytjämnheten $R_a = 0,63$ (R max 2,5 μm). O-ringsspårets sidor och botten får ha ytjämnheten $R_a = 3,2$ μm (R max 12,5 μm)



Toleranser för O-ringsspår i axel				
Diameterområde Basmått	D ₃	D ₄		K
		Axel	Hål	
(3) - 120	h11	f8	H9	0,06
(120) -	h11	f7	H8	0,1



Toleranser för O-ringsspår i hål				
Diameterområde Basmått	D ₄	D ₃		K
		Axel	Hål	
(3) - 120	H11	f8	H9	0,06
(120) -	H11	f7	H8	0,1

O-ring DxD ₂	D ₃	D ₄	B	R ₁		
3.3 x 2.4	4	8	3.2	0.5		
4.3 x 2.4	5	9				
5.3 x 2.4	6	10				
6.3 x 2.4	7	11				
7.3 x 2.4	8	12				
8.3 x 2.4	9	13				
9.3 x 2.4	10	14				
10.3 x 2.4	11	15				
11.3 x 2.4	12	16				
12.3 x 2.4	13	17				
13.3 x 2.4	14	18				
14.3 x 2.4	15	19				
15.3 x 2.4	16	20				
16.3 x 2.4	17	21				
17.3 x 2.4	18	22				
19.2 x 3.0	20	25	4	1		
22.2 x 3.0	23	28				
24.2 x 3.0	25	30				
26.2 x 3.0	27	32				
29.2 x 3.0	30	35				
32.2 x 3.0	33	38				
34.2 x 3.0	35	40				
36.2 x 3.0	37	42				
39.2 x 3.0	40	45				
42.2 x 3.0	43	48				
44.2 x 3.0	45	50				
44.2 x 5.7	45	55			7.5	1
49.2 x 5.7	50	60				
54.2 x 5.7	55	65				
59.2 x 5.7	60	70				
64.2 x 5.7	65	75				
69.2 x 5.7	70	80				
74.2 x 5.7	75	85				
79.2 x 5.7	80	90				
84.1 x 5.7	85	95				
89.1 x 5.7	90	100				
94.1 x 5.7	95	105				
99.1 x 5.7	100	110				
104.1 x 5.7	105	115				
109.1 x 5.7	110	120				
114.3 x 5.7	115	125				
119.3 x 5.7	120	130				
124.3 x 5.7	125	135				
129.3 x 5.7	130	140				
134.3 x 5.7	135	145				
139.3 x 5.7	140	150				
144.3 x 5.7	145	155				
144.1 x 8.4	145	160	11	1		
149.1 x 8.4	150	165				
154.1 x 8.4	155	170				
159.1 x 8.4	160	175				
164.1 x 8.4	165	180				
169.1 x 8.4	170	185				
174.1 x 8.4	175	190				
179.1 x 8.4	180	195				
184.1 x 8.4	185	200				
189.1 x 8.4	190	205				
194.1 x 8.4	195	210				
199.1 x 8.4	200	215				
209.1 x 8.4	210	225				
219.1 x 8.4	220	235				
229.1 x 8.4	230	245				
239.1 x 8.4	240	255				
249.1 x 8.4	250	265				

Radiell hoptryckning, svensk standard

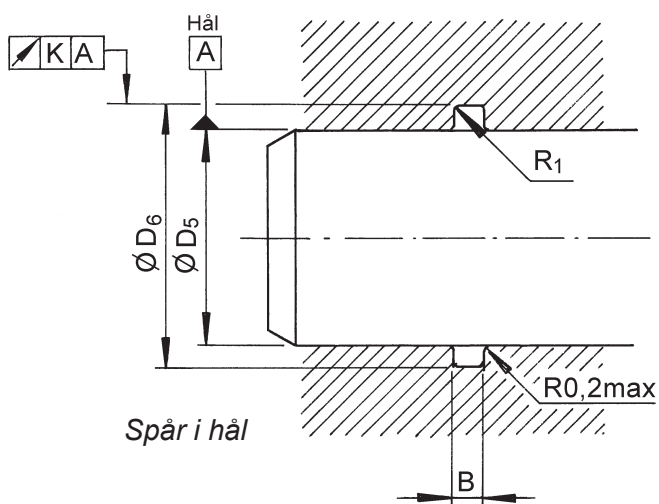
Statiska tätningar kan som regel täta vid betydligt högre tryck än 10 Mpa.

O-ringar av nitrilgummi kan i sitt arbetsläge som regel töjas ut 10%. Om stor omsorg iaktas vid monteringen kan O-ringarna även stukas 3 – 4%.

Vid stödringsinbyggnad se avsnittet "Stödringar Svensk standard".

Standardiserade toleranser anges i tabellerna.

O-ringsspårets sidor och botten får ha ytjämnhet $R_a = 3,2 \mu\text{m}$ ($R \text{ max } 12,5 \mu\text{m}$)



O-ring DxD ₂	D ₅	D ₆	B +0,2 0	R ₁
3.1 x 1.6	3.5	5.8	2.3	0.5
4.1 x 1.6	4.5	6.8		
5.1 x 1.6	5.5	7.8		
6.1 x 1.6	6.5	8.8		
7.1 x 1.6	7.5	9.8		
8.1 x 1.6	8.5	10.8		
9.1 x 1.6	9.5	11.8		
10.1 x 1.6	10.5	12.8		
11.1 x 1.6	11.5	13.8		
12.1 x 1.6	12.5	14.8		
13.1 x 1.6	13.5	15.8		
14.1 x 1.6	14.5	16.8		
15.1 x 1.6	15.5	17.8		
16.1 x 1.6	16.5	18.8		
17.1 x 1.6	17.5	19.8		
18.1 x 1.6	18.5	20.8		
19.1 x 1.6	19.5	21.8		
22.1 x 1.6	22.5	24.8		
25.1 x 1.6	25.5	27.8		
27.1 x 1.6	27.5	29.8		
29.1 x 1.6	29.5	31.8		
32.1 x 1.6	32.5	34.8		
35.1 x 1.6	35.5	37.8		
37.1 x 1.6	37.5	39.8		
3.3 x 2.4	4	7.7	3.1	0.5
4.3 x 2.4	5	8.7		
5.3 x 2.4	6	9.7		
6.3 x 2.4	7	10.7		
7.3 x 2.4	8	11.7		
8.3 x 2.4	9	12.7		
9.3 x 2.4	10	13.7		
10.3 x 2.4	11	14.7		
11.3 x 2.4	12	15.7		
12.3 x 2.4	13	16.7		
13.3 x 2.4	14	17.7		
14.3 x 2.4	15	18.7	3.7	1
15.3 x 2.4	16	19.7		
16.3 x 2.4	17	20.7		
17.3 x 2.4	18	21.7		
19.2 x 3.0	20	24.8		
22.2 x 3.0	23	27.8		
24.2 x 3.0	25	29.8		
26.2 x 3.0	27	31.8		
29.2 x 3.0	30	34.8		
32.2 x 3.0	33	37.8		
34.2 x 3.0	35	39.8		
36.2 x 3.0	37	41.8		
39.2 x 3.0	40	44.8		
42.2 x 3.0	43	47.8		
44.2 x 3.0	45	49.8		
49.5 x 3.0	50	54.8		
54.5 x 3.0	55	59.8		
59.5 x 3.0	60	64.8		
64.5 x 3.0	65	69.8		
69.5 x 3.0	70	74.8		
74.5 x 3.0	75	79.8		
79.5 x 3.0	80	84.8		
84.5 x 3.0	85	89.8		
89.5 x 3.0	90	94.8		
94.5 x 3.0	95	99.8		
99.5 x 3.0	100	104.8		
104.5 x 3.0	105	109.8		
109.5 x 3.0	110	114.8		

Toleranser för O-ringsspår i håll

Diameterområde Basmått	D ₆		D ₅		K
	H11	h8	H9	H8	
(3) - 120	H11	h8	H9	H8	0,06
(120) -	H11	h7	H8	H8	0,1

O-ring DxD ₂	D ₅	D ₆	B +0,2 0	R ₁
114.5 x 3.0	115	119.8	3.7	1
119.5 x 3.0	120	124.8		
124.5 x 3.0	125	129.8		
129.5 x 3.0	130	134.8		
134.5 x 3.0	135	139.8		
139.5 x 3.0	140	144.8		
144.5 x 3.0	145	149.8		
44.2 x 5.7	45	54.7		
49.2 x 5.7	50	59.7		
54.2 x 5.7	55	64.7		
59.2 x 5.7	60	69.7		
64.2 x 5.7	65	74.7		
69.2 x 5.7	70	79.7		
74.2 x 5.7	75	84.7		
79.2 x 5.7	80	89.7		
84.1 x 5.7	85	94.7		
89.1 x 5.7	90	99.7		
94.1 x 5.7	95	104.7		
99.1 x 5.7	100	109.7		
104.1 x 5.7	105	114.7		
109.1 x 5.7	110	119.7		
114.3 x 5.7	115	124.7		
119.3 x 5.7	120	129.7		
124.3 x 5.7	125	134.7		
129.3 x 5.7	130	139.7		
134.3 x 5.7	135	144.7		
139.3 x 5.7	140	149.7		
144.3 x 5.7	145	154.7		
149.3 x 5.7	150	159.6		
154.3 x 5.7	155	164.6		
159.3 x 5.7	160	169.6		
164.3 x 5.7	165	174.6		
169.3 x 5.7	170	179.6		
174.3 x 5.7	175	184.6		
179.3 x 5.7	180	189.6		
184.3 x 5.7	185	194.6		
189.3 x 5.7	190	199.6		
194.3 x 5.7	195	204.6		
199.3 x 5.7	200	209.6		
209.3 x 5.7	210	219.6		
219.3 x 5.7	220	229.6		
229.3 x 5.7	230	239.6		
239.3 x 5.7	240	249.6		
249.3 x 5.7	250	259.6		
259.3 x 5.7	260	269.6		
269.3 x 5.7	270	279.6		
279.3 x 5.7	280	289.6		
289.3 x 5.7	290	299.6		
299.3 x 5.7	300	309.6		
319.3 x 5.7	320	329.6		
339.3 x 5.7	340	349.6		
359.3 x 5.7	360	369.6		
379.3 x 5.7	380	389.6		
399.3 x 5.7	400	409.6		
419.3 x 5.7	420	429.6		
439.3 x 5.7	440	449.6		
459.3 x 5.7	460	469.6		
479.3 x 5.7	480	489.6		
499.3 x 5.7	500	509.6		
144.1 x 8.4	145	160	9	1
149.1 x 8.4	150	165		
154.1 x 8.4	155	170		
159.1 x 8.4	160	175		

O-ring DxD ₂	D ₅	D ₆	B +0,2 0	R ₁
164.1 x 8.4	165	180	9	1
169.1 x 8.4	170	185		
174.1 x 8.4	175	190		
179.1 x 8.4	180	195		
184.1 x 8.4	185	200		
189.1 x 8.4	190	205		
194.1 x 8.4	195	210		
199.1 x 8.4	200	215		
209.1 x 8.4	210	225		
219.1 x 8.4	220	235		
229.1 x 8.4	230	245		
239.1 x 8.4	240	255		
249.1 x 8.4	250	265		

Radiell hoptryckning, svensk standard

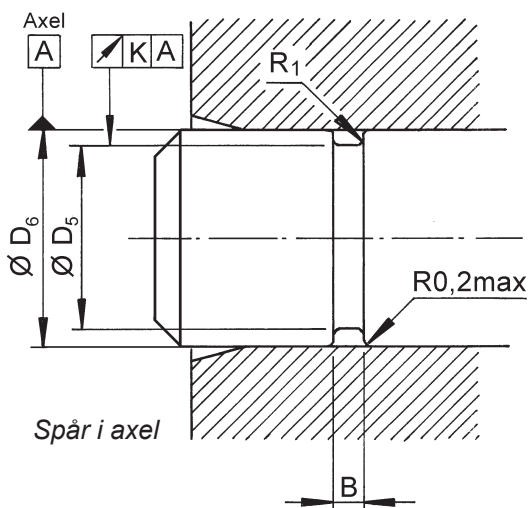
Statiska tätningar kan som regel täta vid betydligt högre tryck än 10 Mpa.

O-ringar av nitrilgummi kan i sitt arbetsläge som regel töjas ut 10%. Om stor omsorg iaktas vid monteringen kan O-ringarna även stukas 3 – 4%.

Vid stödringsinbyggnad se avsnittet "Stödringar Svensk standard".

Standardiserade toleranser anges i tabellerna.

O-ringsspårets sidor och botten får ha ytjämnhet $R_a = 3,2 \mu\text{m}$ ($R \text{ max } 12,5 \mu\text{m}$)



O-ring DxD ₂	D ₅	D ₆	B +0,2 0	R ₁		
3.1 x 1.6	3.8	6	2.3	0.5		
4.1 x 1.6	4.8	7				
5.1 x 1.6	5.8	8				
6.1 x 1.6	6.8	9				
7.1 x 1.6	7.8	10				
8.1 x 1.6	8.8	11				
9.1 x 1.6	9.8	12				
10.1 x 1.6	10.8	13				
11.1 x 1.6	11.8	14				
12.1 x 1.6	12.8	15				
13.1 x 1.6	13.8	16				
14.1 x 1.6	14.8	17				
15.1 x 1.6	15.8	18				
16.1 x 1.6	16.8	19				
17.1 x 1.6	17.8	20				
18.1 x 1.6	18.8	21				
19.1 x 1.6	19.8	22				
22.1 x 1.6	22.8	25	3.1	0.5		
25.1 x 1.6	25.8	28				
27.1 x 1.6	27.8	30				
29.1 x 1.6	29.7	32				
32.1 x 1.6	32.8	35				
35.1 x 1.6	35.8	38				
37.1 x 1.6	37.8	40				
3.3 x 2.4	4.4	8			3.7	1
4.3 x 2.4	5.4	9				
5.3 x 2.4	6.4	10				
6.3 x 2.4	7.4	11				
7.3 x 2.4	8.4	12				
8.3 x 2.4	9.4	13				
9.3 x 2.4	10.4	14				
10.3 x 2.4	11.4	15				
11.3 x 2.4	12.4	16				
12.3 x 2.4	13.4	17				
13.3 x 2.4	14.4	18				
14.3 x 2.4	15.4	19				
15.3 x 2.4	16.4	20				
16.3 x 2.4	17.4	21				
17.3 x 2.4	18.4	22				
19.2 x 3.0	20.2	25				
22.2 x 3.0	23.2	28				
24.2 x 3.0	25.2	30				
26.2 x 3.0	27.2	32				
29.2 x 3.0	30.2	35				
32.2 x 3.0	33.2	38				
34.2 x 3.0	35.2	40				
36.2 x 3.0	37.2	42				
39.2 x 3.0	40.2	45				
42.2 x 3.0	43.2	48				
44.2 x 3.0	45.2	50				
49.5 x 3.0	50.2	55				
54.5 x 3.0	55.2	60				
59.5 x 3.0	60.2	65				
64.5 x 3.0	65.2	70				
69.5 x 3.0	70.2	75				
74.5 x 3.0	75.2	80				
79.5 x 3.0	80.2	85				
84.5 x 3.0	85.2	90				
89.5 x 3.0	90.2	95				
94.5 x 3.0	95.2	100				
99.5 x 3.0	100.2	105				
104.5 x 3.0	105.2	110				
109.5 x 3.0	110.2	115				

Toleranser för O-ringsspår i axel

Diameterområde Basmått	D ₆		K
	Axel	Hål	
(3) - 120	h11	H8 H9	0,06
(120) -	h11	h7 H8	0,1

O-ring DxD ₂	D ₅	D ₆	B +0,2 0	R ₁
114.5 x 3.0	115.2	120	3.7	1
119.5 x 3.0	120.2	125		
124.5 x 3.0	125.2	130		
129.5 x 3.0	130.2	135		
134.5 x 3.0	135.2	140		
139.5 x 3.0	140.2	145		
144.5 x 3.0	145.2	150		
44.2 x 5.7	45.3	55		
49.2 x 5.7	50.3	60		
54.2 x 5.7	55.3	65		
59.2 x 5.7	60.3	70		
64.2 x 5.7	65.3	75		
69.2 x 5.7	70.3	80		
74.2 x 5.7	75.3	85		
79.2 x 5.7	80.3	90		
84.1 x 5.7	85.3	95		
89.1 x 5.7	90.3	100		
94.1 x 5.7	95.3	105		
99.1 x 5.7	100.3	110		
104.1 x 5.7	105.3	115		
109.1 x 5.7	110.3	120		
114.3 x 5.7	115.3	125		
119.3 x 5.7	120.3	130		
124.3 x 5.7	125.3	135		
129.3 x 5.7	130.3	140		
134.3 x 5.7	135.3	145		
139.3 x 5.7	140.3	150		
144.3 x 5.7	145.3	155		
149.3 x 5.7	150.4	160		
154.3 x 5.7	155.4	165		
159.3 x 5.7	160.4	170		
164.3 x 5.7	165.4	175		
169.3 x 5.7	170.4	180		
174.3 x 5.7	175.4	185		
179.3 x 5.7	180.4	190		
184.3 x 5.7	85.4	195		
189.3 x 5.7	190.4	200		
194.3 x 5.7	195.4	205		
199.3 x 5.7	200.4	210		
209.3 x 5.7	210.4	220		
219.3 x 5.7	220.4	230		
229.3 x 5.7	230.4	240		
239.3 x 5.7	240.4	250		
249.3 x 5.7	250.4	260		
259.3 x 5.7	260.4	270		
269.3 x 5.7	270.4	280		
279.3 x 5.7	280.4	290		
289.3 x 5.7	290.4	300		
299.3 x 5.7	300.4	310		
319.3 x 5.7	320.4	330		
339.3 x 5.7	340.4	350		
359.3 x 5.7	360.4	370		
379.3 x 5.7	380.4	390		
399.3 x 5.7	400.4	410		
419.3 x 5.7	420.4	430		
439.3 x 5.7	440.4	450		
459.3 x 5.7	460.4	470		
479.3 x 5.7	480.4	490		
499.3 x 5.7	500.4	510		
144.1 x 8.4	145	160	9	1
149.1 x 8.4	150	165		
154.1 x 8.4	155	170		
159.1 x 8.4	160	175		

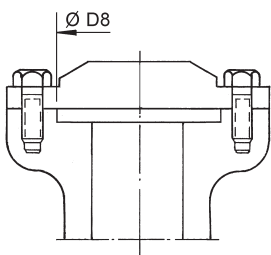
O-ring DxD ₂	D ₅	D ₆	B +0,2 0	R ₁
164.1 x 8.4	165	180	9	1
169.1 x 8.4	170	185		
174.1 x 8.4	175	190		
179.1 x 8.4	180	195		
184.1 x 8.4	185	200		
189.1 x 8.4	190	205		
194.1 x 8.4	195	210		
199.1 x 8.4	200	215		
209.1 x 8.4	210	225		
219.1 x 8.4	220	235		
229.1 x 8.4	230	245		
239.1 x 8.4	240	255		
249.1 x 8.4	250	265		

Axiell hoptryckning, svensk standard

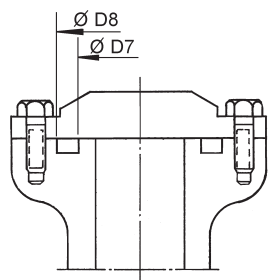
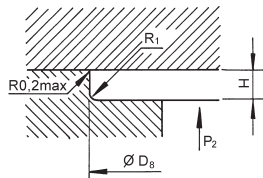
För tätning vid yttre övertryck, P₁, kan endast slutet spår användas.

För tätning vid inre övertryck, P₂, kan slutet eller öppet spår användas.

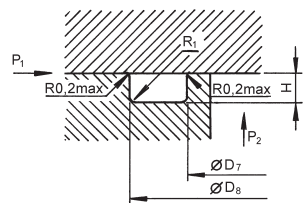
O-ringspårrets sidor och botten får ha ytjämnheten R_a = 3,2µm. (R max = 12,5 µm)



Öppet spår



Slutet spår



O-ring DxD ₂	Diameter				H	R ₁
	Yttre övertryck P ₁		Inre övertryck P ₂			
	D ₈ min	D ₇ h11	D ₈ H11	D ₇ max		
3.1 x 1.6	7.4	3.5	6.3	-	+0.05 1.2 0	0.2
4.1 x 1.6	8.4	4.5	7.3	2.1		
5.1 x 1.6	9.4	5.5	8.3	3.5		
6.1 x 1.6	10.4	6.5	9.3	4.7		
7.1 x 1.6	11.4	7.5	10.3	5.8		
8.1 x 1.6	12.4	8.5	11.3	6.8		
9.1 x 1.6	13.4	9.5	12.3	7.9		
10.1 x 1.6	14.5	10.5	13.3	8.9		
11.1 x 1.6	15.5	11.5	14.3	10		
12.1 x 1.6	16.5	12.5	15.3	11		
13.1 x 1.6	17.5	13.5	16.3	12		
14.1 x 1.6	18.5	14.5	17.3	13		
15.1 x 1.6	19.5	15.5	18.3	14		
16.1 x 1.6	20.5	16.5	19.3	15.1		
17.1 x 1.6	21.5	17.5	20.3	16.1		
18.1 x 1.6	22.5	18.5	21.3	17.1		
19.1 x 1.6	23.5	19.5	22.3	18.1		
22.1 x 1.6	26.5	22.5	25.3	21.1		
25.1 x 1.6	29.5	25.5	28.3	24.2		
27.1 x 1.6	31.5	27.5	30.3	26.2		
29.1 x 1.6	33.5	29.5	32.3	28.2		
32.1 x 1.6	36.5	32.5	35.3	31.2		
35.1 x 1.6	39.5	35.5	38.3	34.2		
37.1 x 1.6	41.5	37.5	40.3	36.2		
3.3 x 2.4	10	4	8.7	-	+0.1 1.7 0	0.5
4.3 x 2.4	11	5	9.6	2.3		
5.3 x 2.4	12	6	10.4	2.5		
6.3 x 2.4	13	7	11.4	3.9		
7.3 x 2.4	14	8	12.3	5.1		
8.3 x 2.4	15	9	13.3	6.3		
9.3 x 2.4	16	10	14.3	7.4		
10.3 x 2.4	17	11	15.3	8.5		
11.3 x 2.4	18	12	16.3	9.5		
12.3 x 2.4	19	13	17.3	10.5		
13.3 x 2.4	20	14	18.3	11.5		
14.3 x 2.4	21	15	19.3	12.5		
15.3 x 2.4	22	16	20.3	13.5		
16.3 x 2.4	23	17	21.3	14.5		
17.3 x 2.4	24	18	22.3	15.5		
19.2 x 3.0	27.5	20	25	16.7	+0.1 2.2 0	1
22.2 x 3.0	30.5	23	28	19.7		
24.2 x 3.0	32.5	25	30	21.7		
26.2 x 3.0	34.5	27	32	23.7		
29.2 x 3.0	37.5	30	35	26.8		
32.2 x 3.0	40.5	33	38	29.8		
34.2 x 3.0	42.5	35	40	31.8		
36.2 x 3.0	44.5	37	42	33.8		
39.2 x 3.0	47.5	40	45	36.8		
42.2 x 3.0	50.5	43	48	39.8		
44.2 x 3.0	53	45	50	42		
49.5 x 3.0	58	50	55	47		
54.5 x 3.0	63	55	60	52		
59.5 x 3.0	68	60	65	57		
64.5 x 3.0	73	65	70	62		
69.5 x 3.0	78	70	75	67		
74.5 x 3.0	83	75	80	72		
79.5 x 3.0	88	80	85	77		
84.5 x 3.0	93	85	90	82		
89.5 x 3.0	98	90	95	87		
94.5 x 3.0	103	95	100	92		
99.5 x 3.0	108	100	105	97		

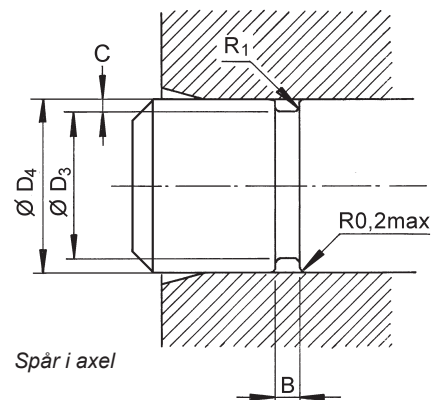
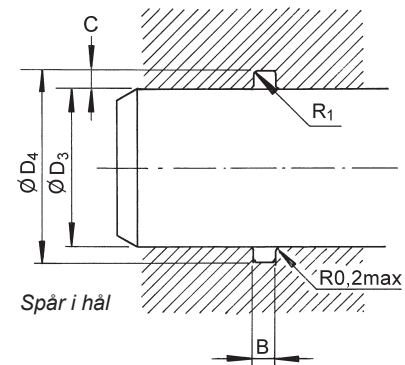
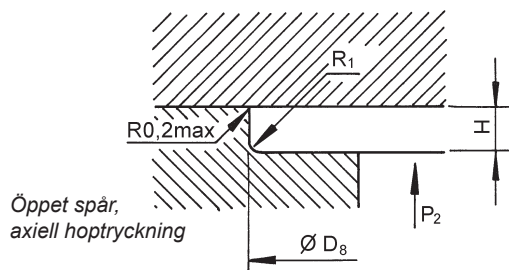
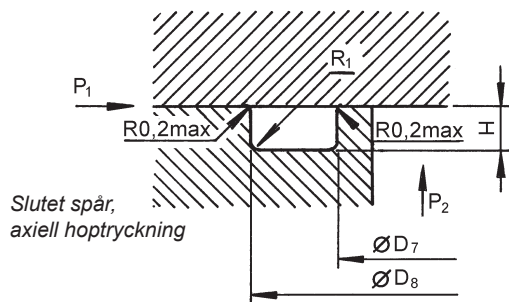
O-ring DxD ₂	Diameter				H	R ₁
	Yttre övertryck P ₁		Inre övertryck P ₂			
	D ₈ min	D ₇ h11	D ₈ H11	D ₇ max		
104.5 x 3.0	113	105	110	102	+0.1 2.2 0	1
109.5 x 3.0	118	110	115	107		
114.5 x 3.0	123	115	120	112		
119.5 x 3.0	128	120	125	117		
124.5 x 3.0	133	125	130	122		
129.5 x 3.0	138	130	135	127		
134.5 x 3.0	143	135	140	132		
139.5 x 3.0	148	140	145	137		
144.5 x 3.0	153	145	150	142		
44.2 x 5.7	59	45	55	40		
49.2 x 5.7	64	50	60	45		
54.2 x 5.7	69	55	65	50		
59.2 x 5.7	74	60	70	55		
64.2 x 5.7	79	65	75	60		
69.2 x 5.7	84	70	80	65		
74.2 x 5.7	89	75	85	70		
79.2 x 5.7	94	80	90	75		
84.1 x 5.7	99	85	95	80		
89.1 x 5.7	104	90	100	85		
94.1 x 5.7	109	95	105	90		
99.1 x 5.7	114	100	110	95		
104.1 x 5.7	119	105	115	100		
109.1 x 5.7	124	110	120	105		
114.3 x 5.7	129	115	125	110		
119.3 x 5.7	134	120	130	115		
124.3 x 5.7	139	125	135	120		
129.3 x 5.7	144	130	140	125		
134.3 x 5.7	149	135	145	130		
139.3 x 5.7	154	140	150	135		
144.3 x 5.7	159	145	155	140		
149.3 x 5.7	164	150	160	145		
154.3 x 5.7	169	155	165	150		
159.3 x 5.7	174	160	170	155		
164.3 x 5.7	179	165	175	160		
169.3 x 5.7	184	170	180	165		
174.3 x 5.7	189	175	185	170		
179.3 x 5.7	194	180	190	175		
184.3 x 5.7	199	185	195	180		
189.3 x 5.7	204	190	199	184		
194.3 x 5.7	209	195	204	189		
199.3 x 5.7	214	200	209	194		
209.3 x 5.7	224	210	219	204		
219.3 x 5.7	234	220	229	214		
229.3 x 5.7	244	230	239	224		
239.3 x 5.7	254	240	249	234		
249.3 x 5.7	264	250	259	244		
259.3 x 5.7	274	261	269	254		
269.3 x 5.7	285	271	279	264		
279.3 x 5.7	295	281	289	274		
289.3 x 5.7	305	291	299	284		
299.3 x 5.7	315	301	309	294		
319.3 x 5.7	335	321	329	314		
339.3 x 5.7	355	341	349	334		
359.3 x 5.7	375	361	369	354		
379.3 x 5.7	395	381	389	374		
399.3 x 5.7	415	401	409	394		
419.3 x 5.7	436	422	428	413		
439.3 x 5.7	456	442	448	433		
459.3 x 5.7	476	462	468	453		
479.3 x 5.7	496	482	488	473		
499.3 x 5.7	516	502	508	493		

O-ring DxD ₂	Diameter				H	R ₁
	Yttre övertryck P ₁		Inre övertryck P ₂			
	D ₈ min	D ₇ h11	D ₈ H11	D ₇ max		
144.1 x 8.4	165	145	160	140	+0.1 6.6 0	1
149.1 x 8.4	170	150	165	145		
154.1 x 8.4	175	155	170	150		
159.1 x 8.4	180	160	175	155		
164.1 x 8.4	185	165	180	160		
169.1 x 8.4	190	170	185	165		
174.1 x 8.4	195	175	190	170		
179.1 x 8.4	200	180	195	175		
184.1 x 8.4	205	185	199	179		
189.1 x 8.4	210	190	204	184		
194.1 x 8.4	215	195	209	189		
199.1 x 8.4	220	200	214	194		
209.1 x 8.4	230	210	224	204		
219.1 x 8.4	240	220	234	214		
229.1 x 8.4	250	230	244	224		
239.1 x 8.4	260	240	254	234		
249.1 x 8.4	270	250	264	244		

**Statisk inbyggnad,
axiell hoptryckning**

**Statisk eller dynamisk inbyggnad,
radiell hoptryckning**

För toleranser och andra anvisningar se sid 20-26.



Axiell hoptryckning, rektangulära spår

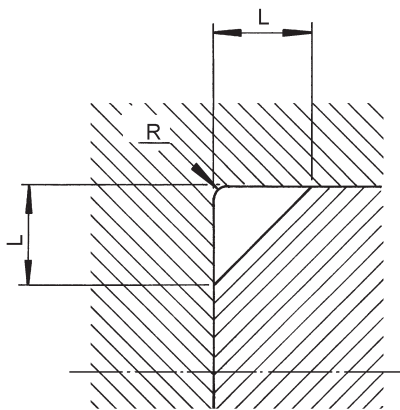
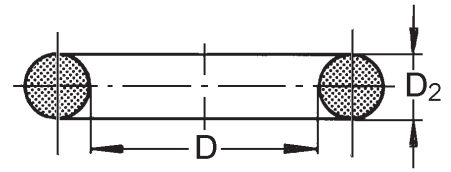
D ₂	Spår djup H		Spår bredd B
			+0.2 0
1.6	1.2	±0.05	2.1
1.78	1.3	±0.05	2.3
2.4	1.8	±0.05	3.1
2.62	2.0	±0.05	3.4
3.0	2.3	±0.05	3.9
3.53	2.75	±0.05	4.5
5.0	4.0	±0.05	6.5
5.34	4.3	±0.05	6.9
5.7	4.65	±0.05	7.4
6.99	5.85	±0.05	9.1
8.0	6.75	±0.10	10.4
8.4	7.15	±0.10	10.9
9.0	7.7	±0.10	11.7
10.0	8.65	±0.10	13.0

Radiell hoptryckning, rektangulära spår

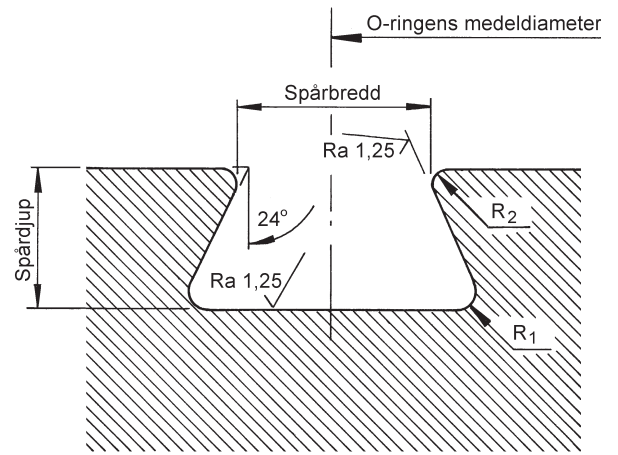
D ₂	Spår djup C	Spår djup C	Spår bredd B
	Statiskt inbyggnad	Dynamiskt inbyggnad	
1.6	1.2	-	2.1
1.78	1.3	1.45	2.3
2.4	1.8	2.0	3.1
2.62	2.0	2.25	3.4
3.0	2.3	2.6	3.9
3.53	2.75	3.1	4.5
5.0	4.0	4.4	6.5
5.34	4.3	4.7	6.9
5.7	4.65	5.05	7.4
6.99	5.85	6.25	9.1
8.0	6.75	7.2	10.4
8.4	7.15	7.55	10.9
9.0	7.7	8.2	11.7
10.0	8.65	9.1	13.0

Statisk inbyggnad, triangulärt eller trapetsformat spår

Dessa typer av spår förekommer ibland vid flänsar och lock som skruvas fast emot underlaget. Exakta mått är svåra att innehålla vid tillverkningen och rektangulära spår är att föredra.



Triangulärt spår



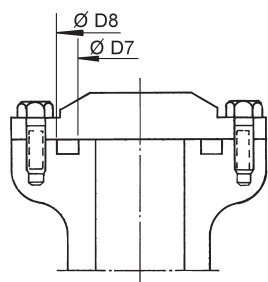
Trapetsformat spår

Axiell hoptryckning, triangulära spår

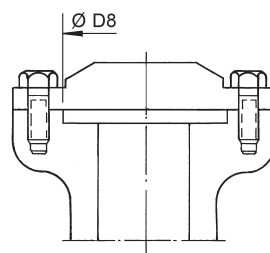
D ₂	L	D ₂	L
1.6	2.1 +0.1-0	5,34	7,35 +0,2-0
1.78	2.4 +0.1-0	5,7	7,85 +0,2-0
2.4	3.3 +0.1-0	6,99	9,6 +0,3-0
2.62	3.6 +0.1-0	8,0	11,0 +0,3-0
3.0	4.1 +0.2-0	8,4 1	1,6 +0,3-0
3.53	4.9 +0.2-0	9,0	12,4 +0,4-0
5.0	6.9 +0.2-0	10,0	13,8 +0,4-0

Axiell hoptryckning, trapetsformade spår

D ₂	Spårdjup 0 -0.05	R ₁	R ₂	Spårbredd 0 -0.05
2.4	1.9	0.8	0.25	1.95
3.0	2.4	0.8	0.25	2.45
3.53	2.8	0.8	0.25	2.9
5.0	4.15	0.8	0.25	4.1
5.34	4.4	0.8	0.25	4.35
5.7	4.8	0.8	0.4	4.65
6.99	5.95	1.5	0.4	5.7
8.0	6.85	1.5	0.5	6.5
8.4	7.25	1.5	0.5	6.8
9.0	7.8	1.5	0.5	7.25
10.0	8.7	1.5	0.5	7.95



Slutet spår



Öppet spår

Strängsprutade O-ringssnören kan ibland användas i stället för formpressade O-ringar vid statiska tätningsfall.

Exempel på applikationsområden är tätning av stora flänsar, lock till stora behållare eller liknande.

Vanligen limmas skarven ihop.

Beräkning av O-ringssnörets längd vid tillverkning av limmade O-ringar.

Önskad diameter (D) + Oringsnörets tjocklek (D2) x 3.14

Exempel:

Önskad O-ring 300.0x5.7:

$(300+5.7) \times 3.14 = 959.9\text{mm}$

Det mest förekommande materialet för O-ringssnören är NBR70. Dock erbjuder vi även många andra material mot förfrågan.

Artnr	D ₂	Material
2150150N70	1.5	NBR 70
2150160N70	1.6	NBR 70
2150178N70	1.78	NBR 70
2150200N70	2.0	NBR 70
2150220N70	2.2	NBR 70
2150240N70	2.4	NBR 70
2150250N70	2.5	NBR 70
2150262N70	2.62	NBR 70
2150300N70	3.0	NBR 70
2150320N70	3.2	NBR 70
2150353N70	3.53	NBR 70
2150400N70	4.0	NBR 70
2150450N70	4.5	NBR 70
2150475N70	4.75	NBR 70
2150500N70	5.0	NBR 70
2150534N70	5.33	NBR 70
2150550N70	5.5	NBR 70
2150570N70	5.7	NBR 70
2150600N70	6.0	NBR 70
2150635N70	6.35	NBR 70
2150650N70	6.5	NBR 70
2150700N70	7.0	NBR 70
2150750N70	7.5	NBR 70
2150800N70	8.0	NBR 70
2150840N70	8.4	NBR 70
2150850N70	8.5	NBR 70
2150900N70	9.0	NBR 70
2151000N70	10.0	NBR 70
2151100N70	11.0	NBR 70
2151200N70	12.0	NBR 70